

**beyma**



**S-18LEX1000**  
SINGLE 18LEX1000 DIRECT  
RADIATION VENTED SUBWOOFER



**TECHNICAL SPECIFICATIONS**

<b>Frequency response (<math>\pm 3</math> dB)</b>	40 Hz - 150 Hz
<b>Usable bandwidth (-10 dB)</b>	30 Hz - 1.80 kHz
<b>Maximum SPL (*)</b>	134 dB
<b>Sensitivity 1W@1m</b>	98 dB
<b>Transducer:</b>	18LEX1000Nd & 18LEX1000FE
<b>AES power handling:</b>	1000 W
<b>Nominal impedance:</b>	8 $\Omega$
<b>Connectors:</b>	2 x NL4
<b>Box Dimensions: (**)</b>	600 x 536 x 800 (Birch Plywood 18mm)

(\*) Peak level at 1 m under free field conditions using pink noise with 2 crest factor (6 dB).  
 (\*\*) All dimensions in this files are in millimeters.

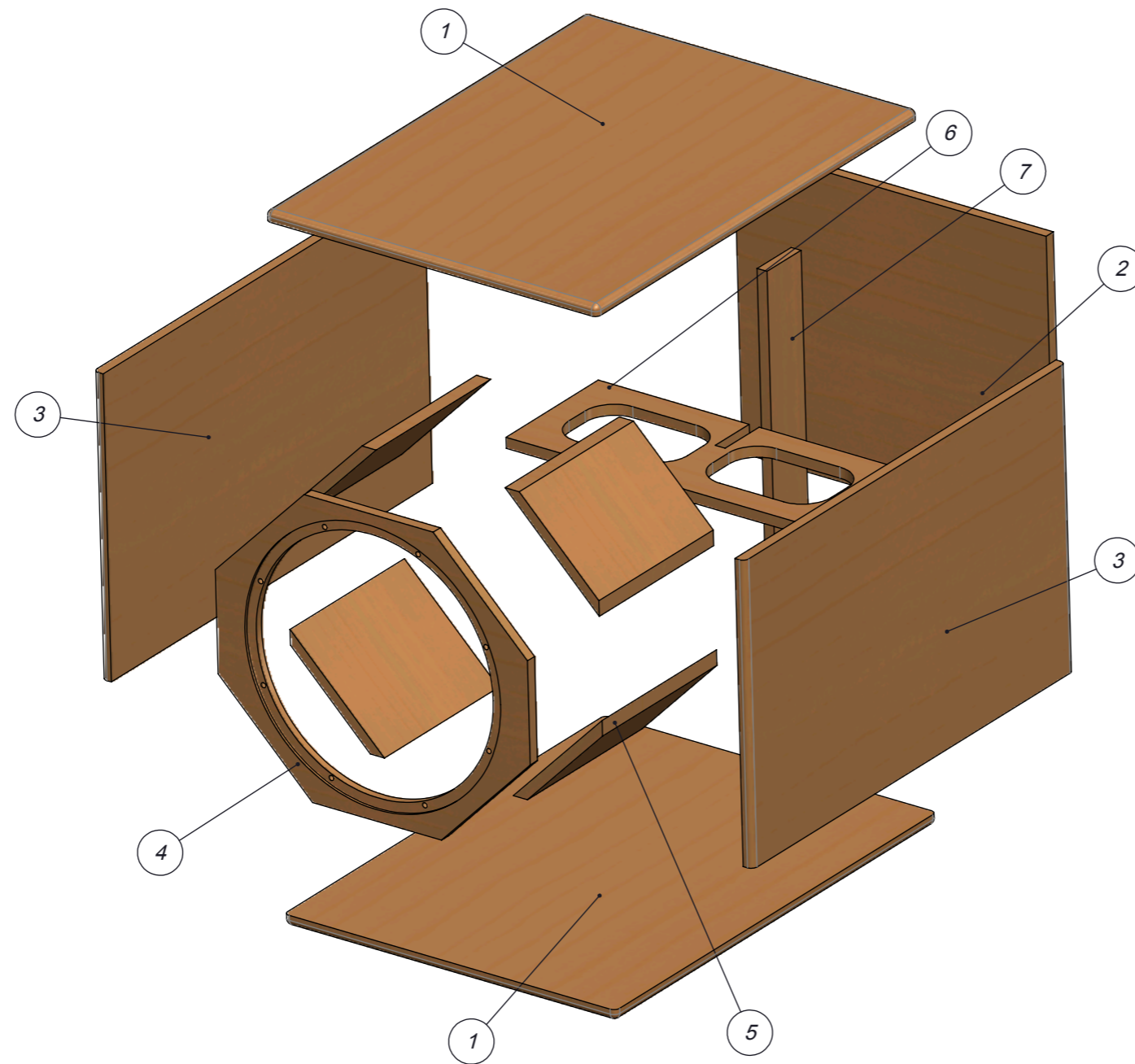


**PRESETS**

S-18LEX	f (Hz)	Shape	Order
HPF	22	BW	48 <sup>dB/</sup> <sub>octv</sub>
LPF	99	BW	24 <sup>dB/</sup> <sub>octv</sub>
EQ	f (Hz)	Q	Gain
1	44	3.8	+1.5
2	64	5	-1.5
3	86	5	2
4	144	8.4	-3
LIMITER (*)	Threshold	Attack	Release
	11 dBu	45 ms	400 ms

\*for 32 dB Gain amplifier

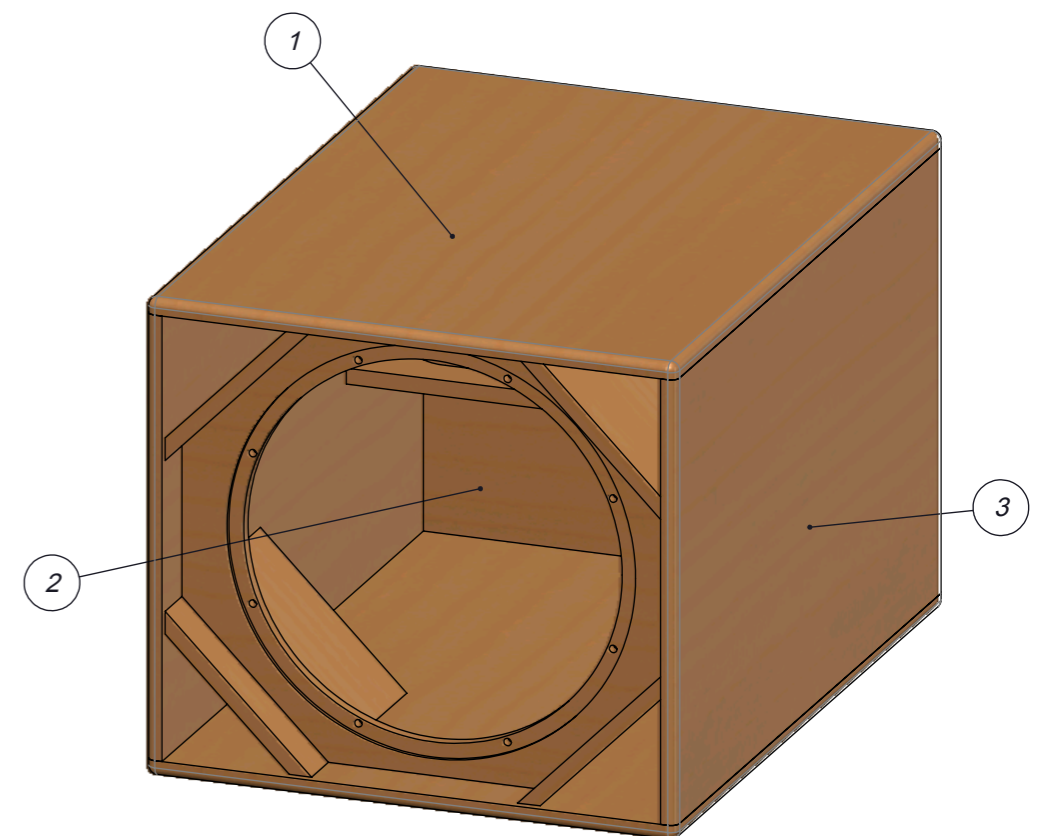
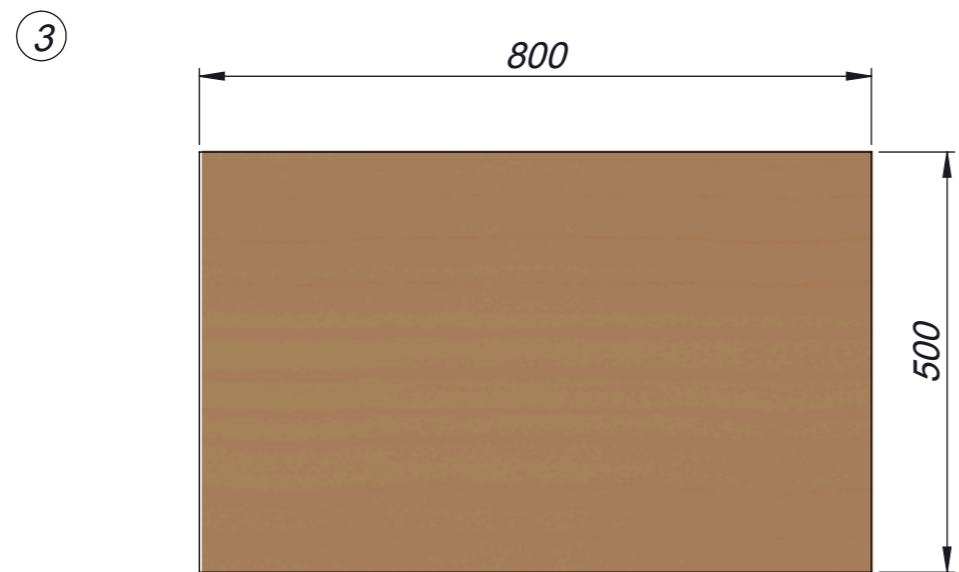
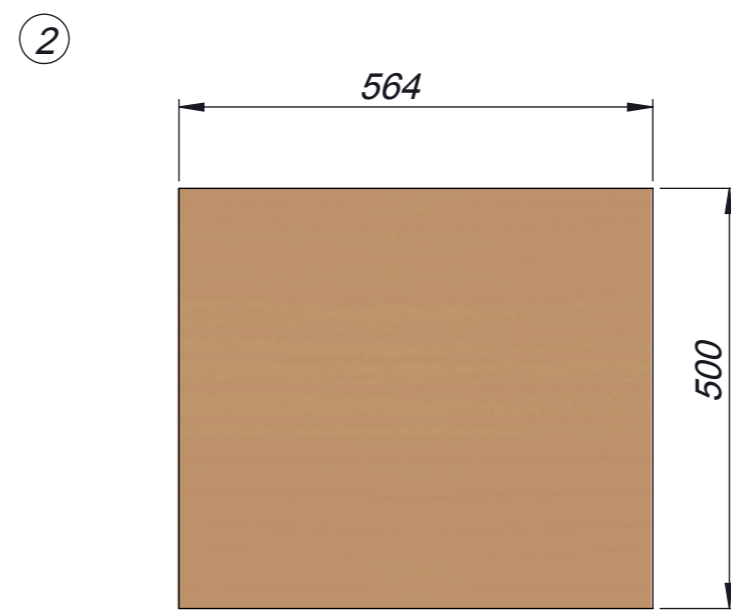
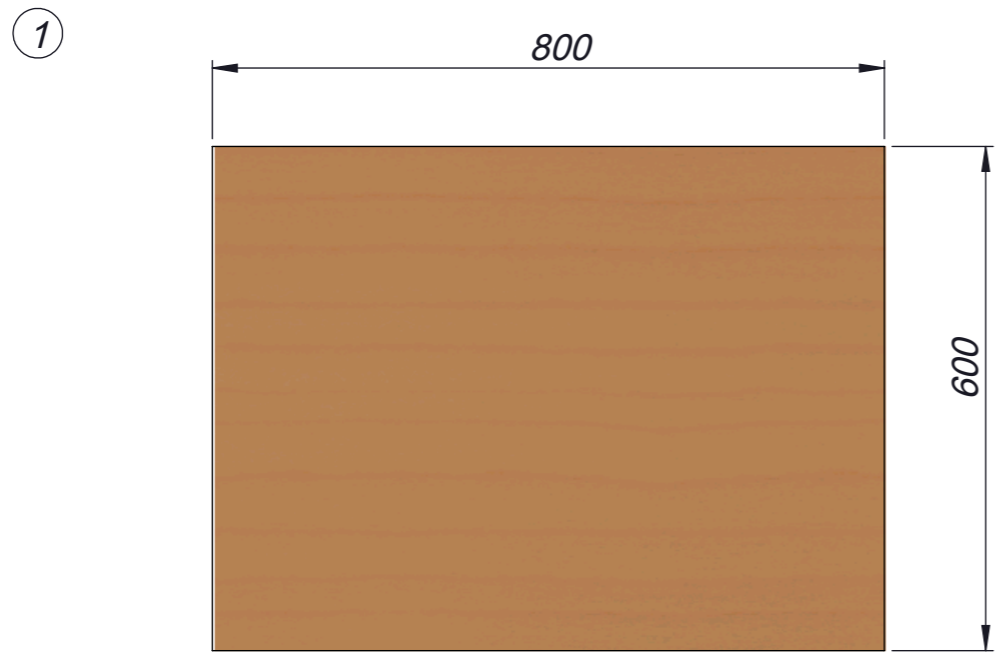
**EXPLODED VIEW**



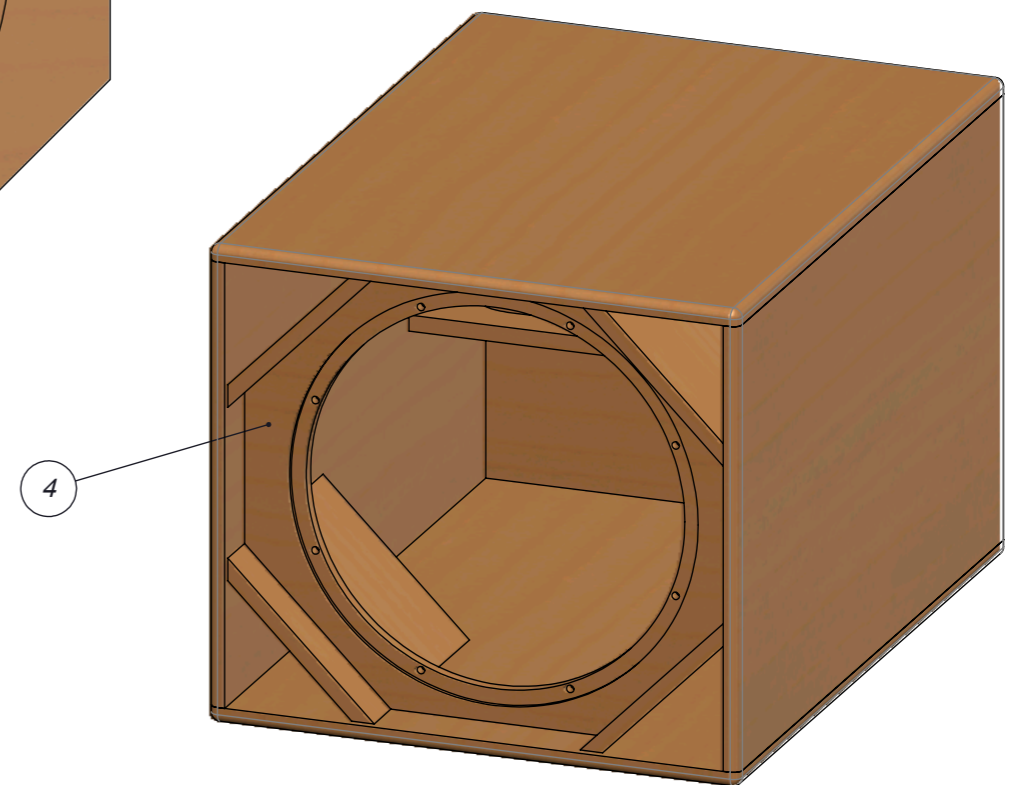
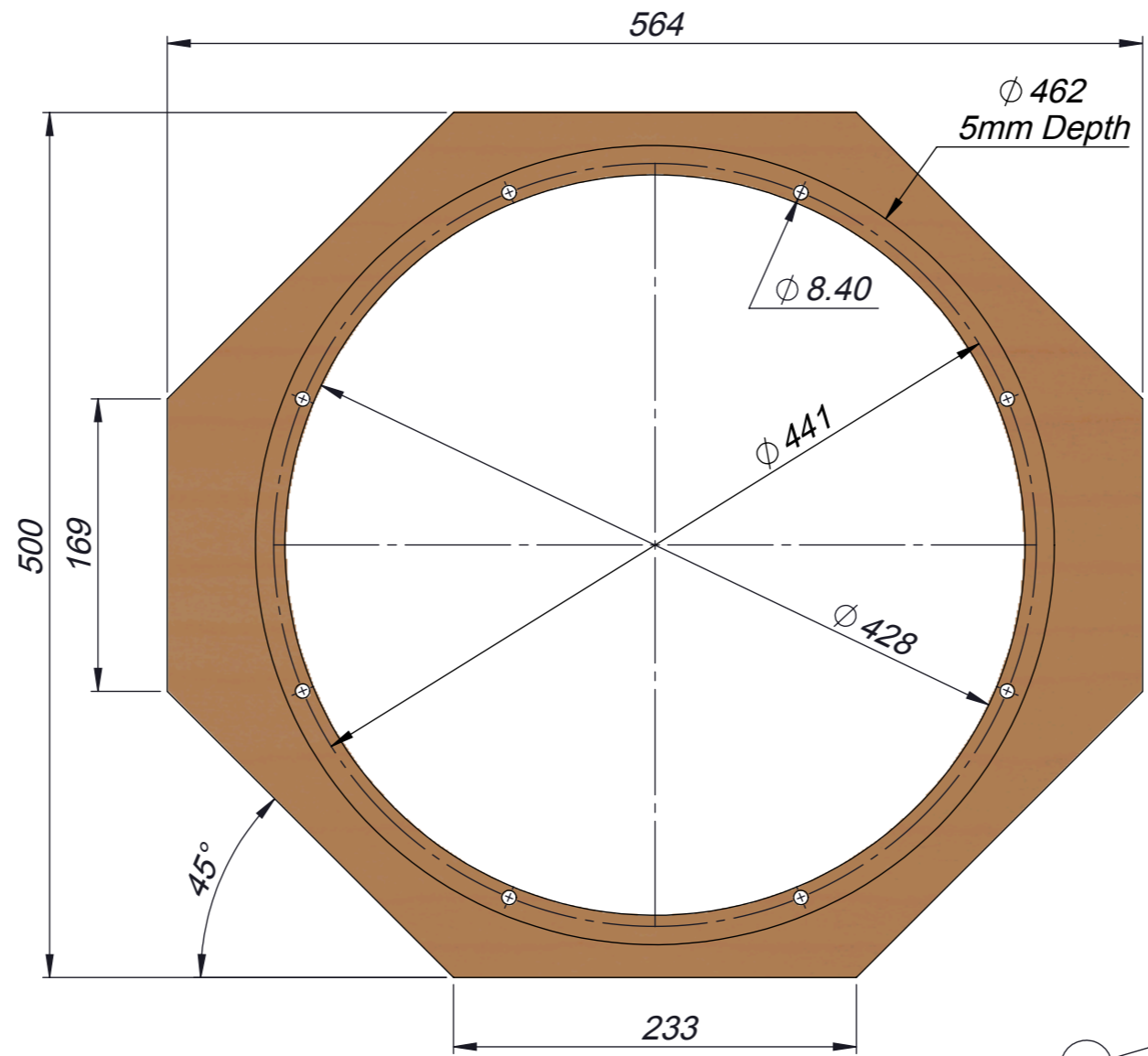
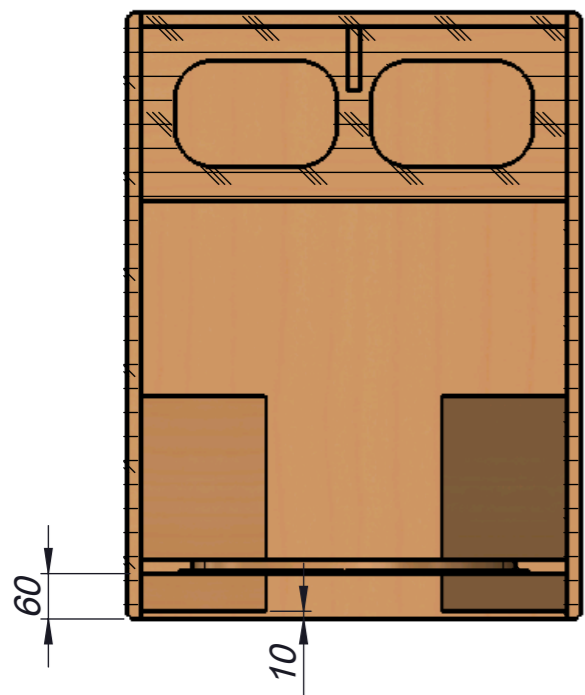
**PARTS LIST**

ITEM N.º	PARTS DIMENSIONS	QTY
1	800 x 600 x 18	2
2	564 X 500 x 18	1
3	800 x 500 x 18	2
4	564 x 500 x 18	1
5	285 x 234 x 18	2
6	564 x 230 x 18	1
7	500 x 85 x 18	1

SIDES

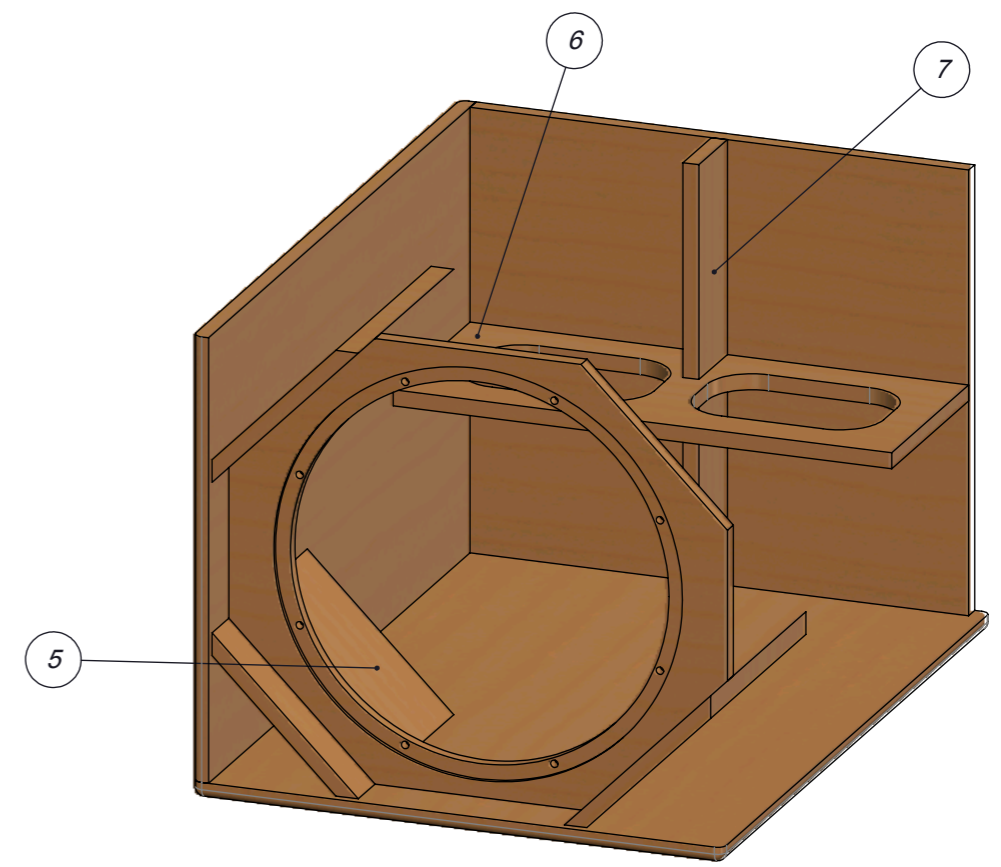
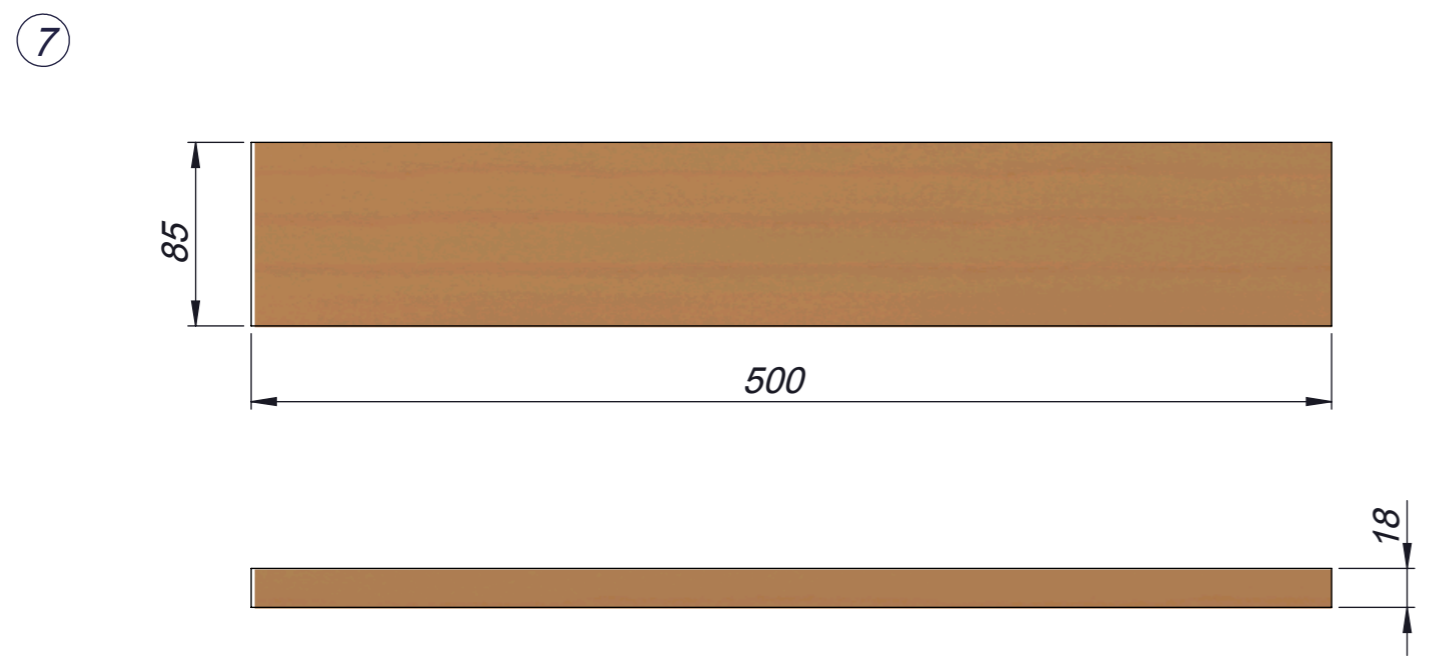
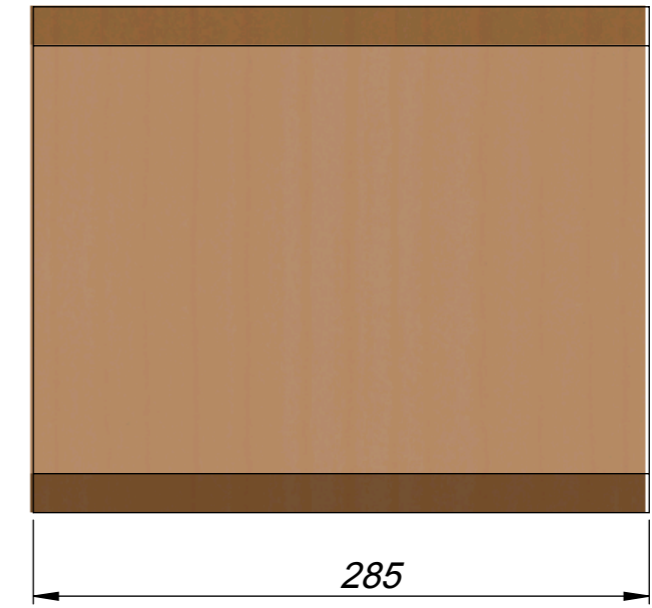
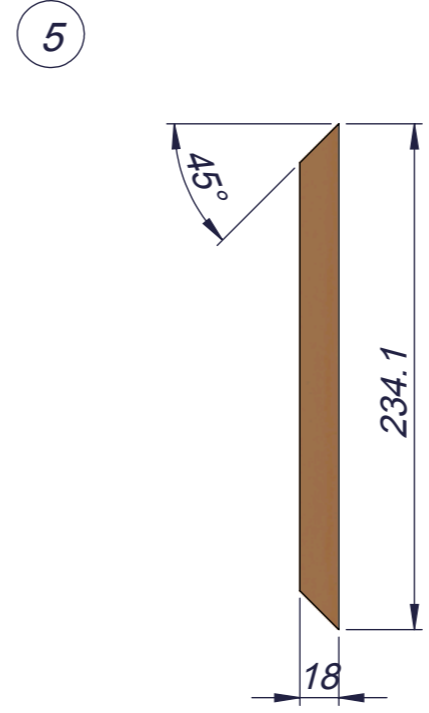
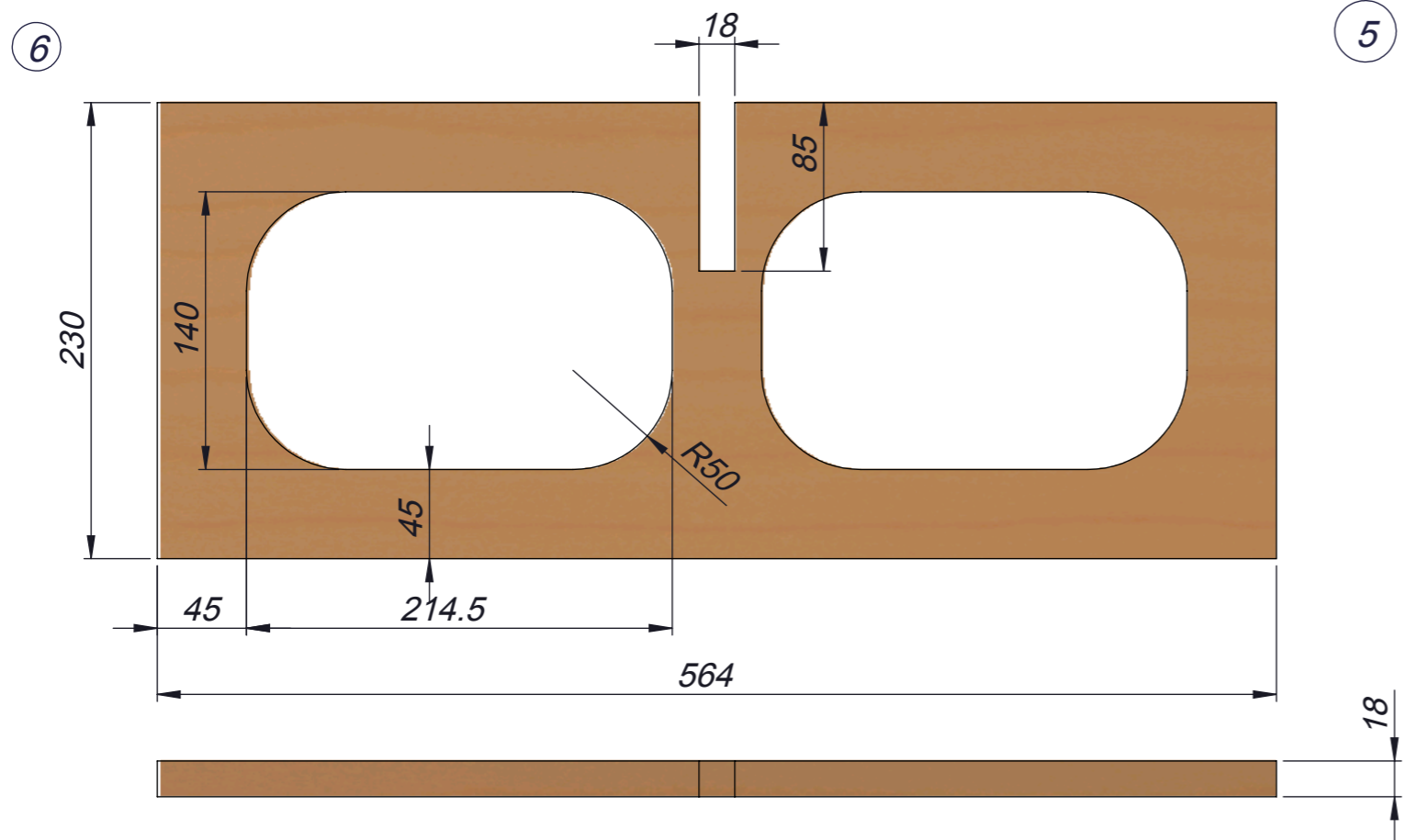


FRONT PANEL



INNER REINFORCEMENT

VENT



# **beyma** **S-SERIES**

## ***DIRECT RADIATION VENTED SUBWOOFERS***

