

beyma



S-215LEX1000
DOUBLE 15LEX1000 DIRECT
RADIATION VENTED SUBWOOFER



TECHNICAL SPECIFICATIONS

Frequency response (± 3 dB)	43 Hz - 320 Hz
Usable bandwidth (-10 dB)	35 Hz - 1.80 kHz
Maximum SPL (*)	142 dB
Sensitivity 1W@1m	103 dB
Transducer:	2x15LEX1000Nd & 2x15LEX1000Fe
AES power handling:	2000 W
Nominal impedance:	4 Ω
Connectors:	2 x NL4
Box Dimensions:(**)	970 x 476 x 608 (Birch Plywood 18mm)
<p>(*) Peak level at 1 m under free field conditions using pink noise with 2 crest factor (6 dB). (**) All dimensions in this files are in millimeters.</p>	

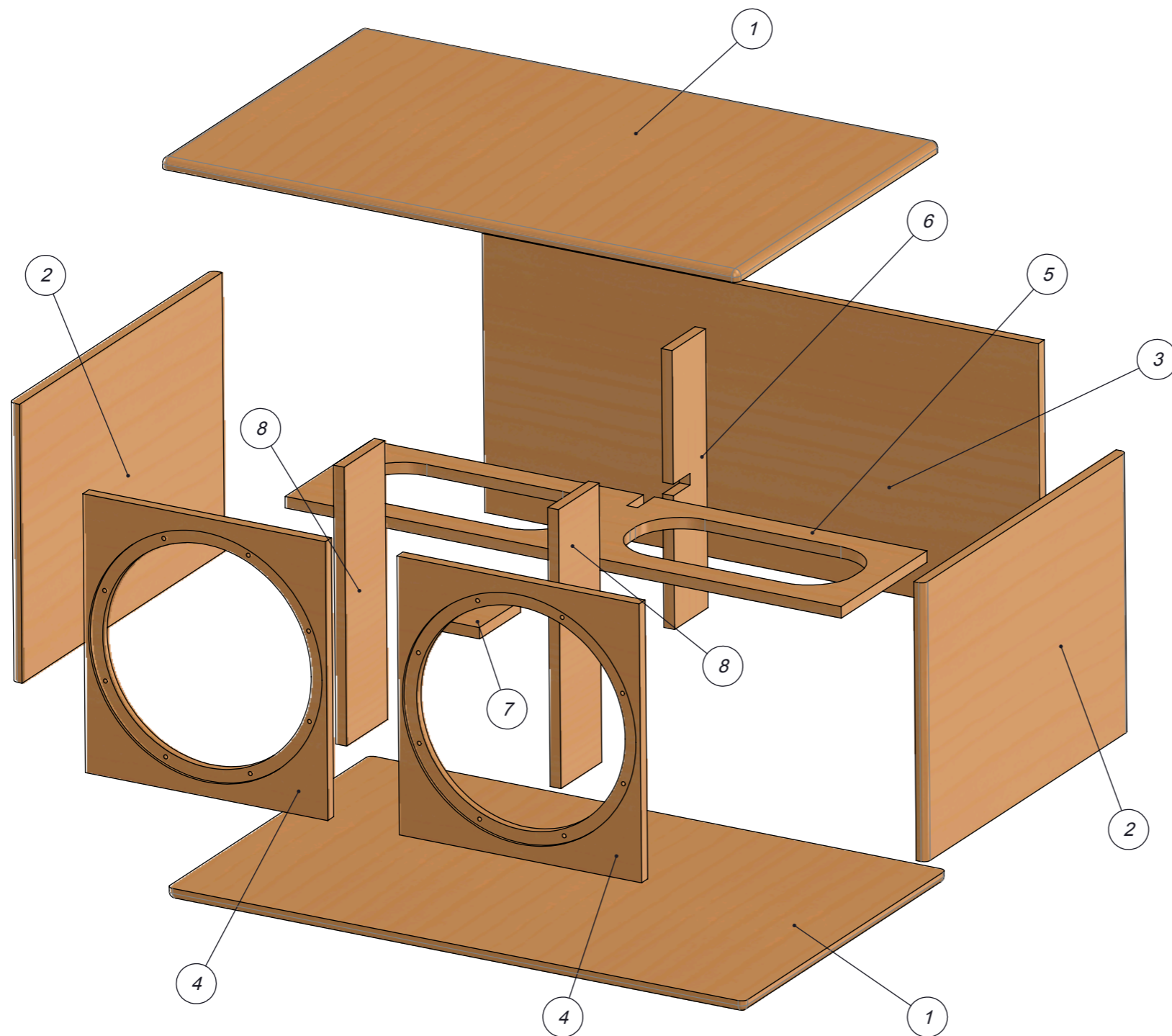


PRESETS

S-215LEX	f (Hz)	Shape	Order
HPF	28	BW	48 ^{dB/} _{octv}
LPF	96	BW	24 ^{dB/} _{octv}
EQ	f (Hz)	Q	Gain
1	60	5	-2
LIMITER (*)	Threshold	Attack	Release
	11 dBu	35 ms	390 ms

*for 32 dB Gain amplifier

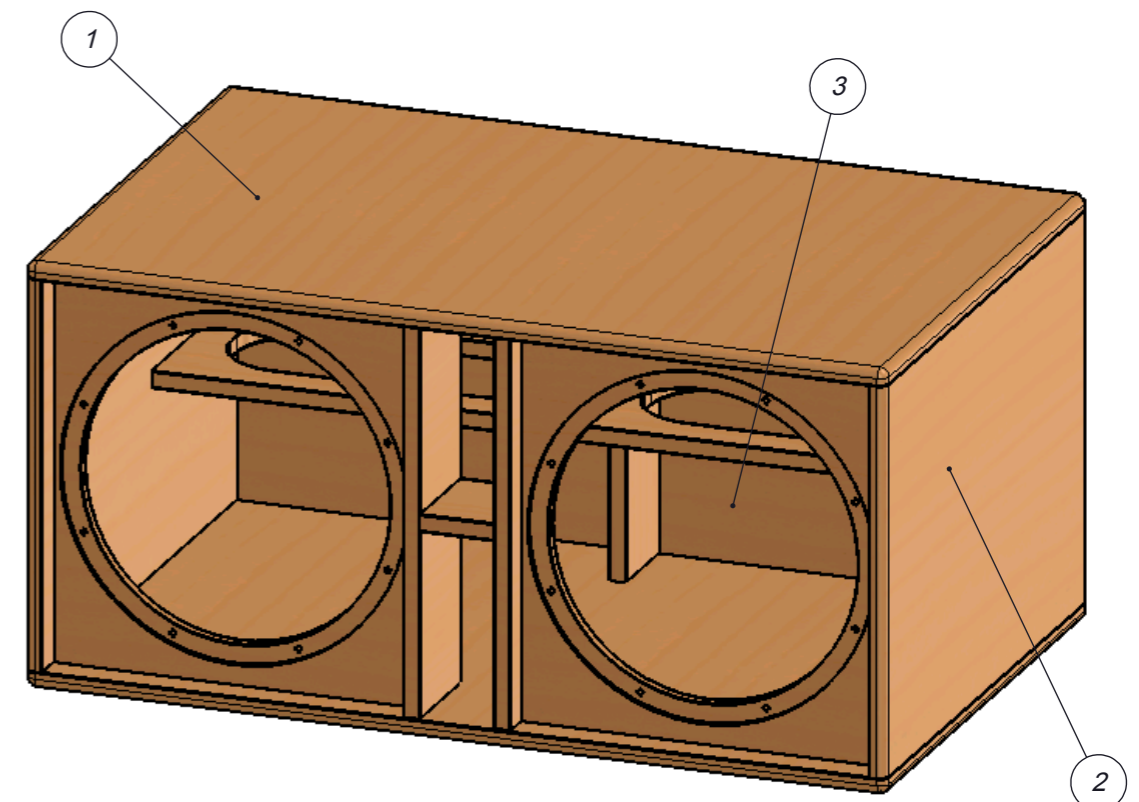
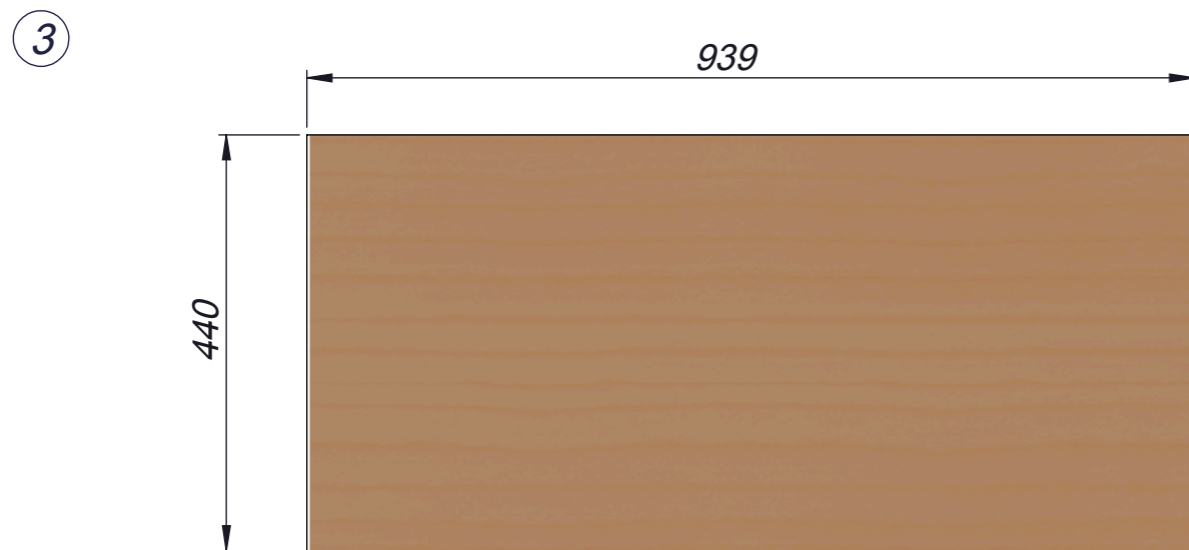
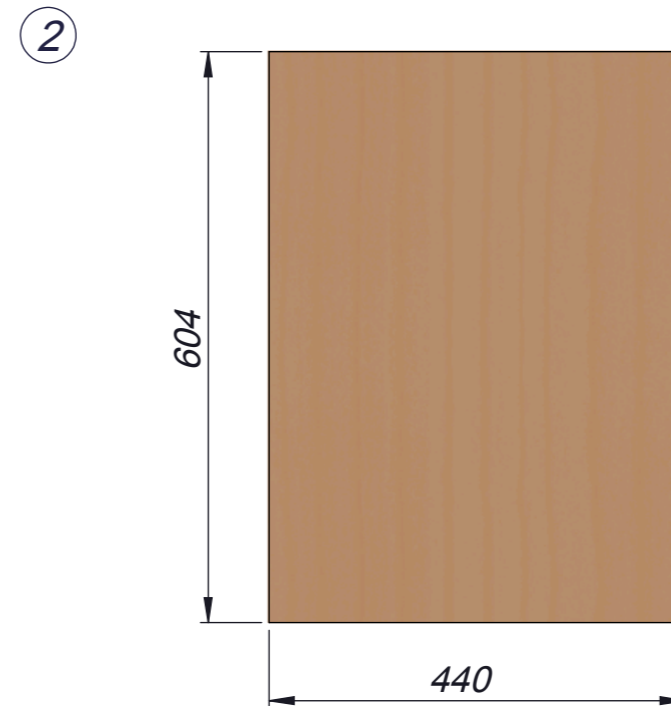
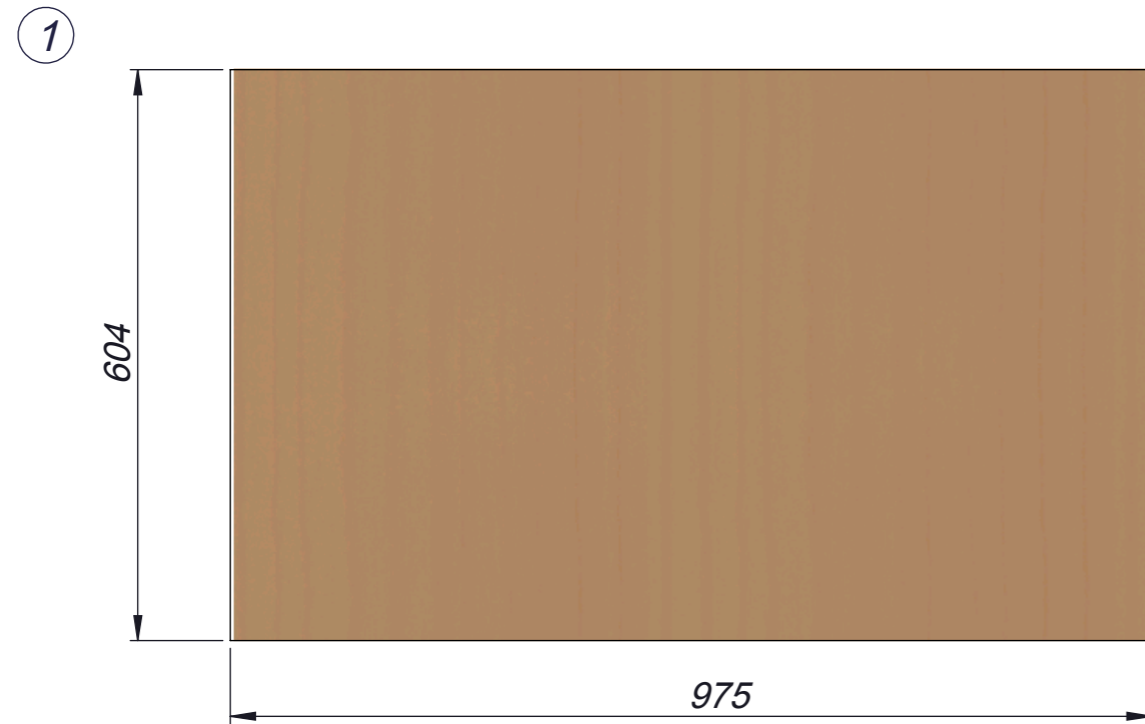
EXPLODED VIEW



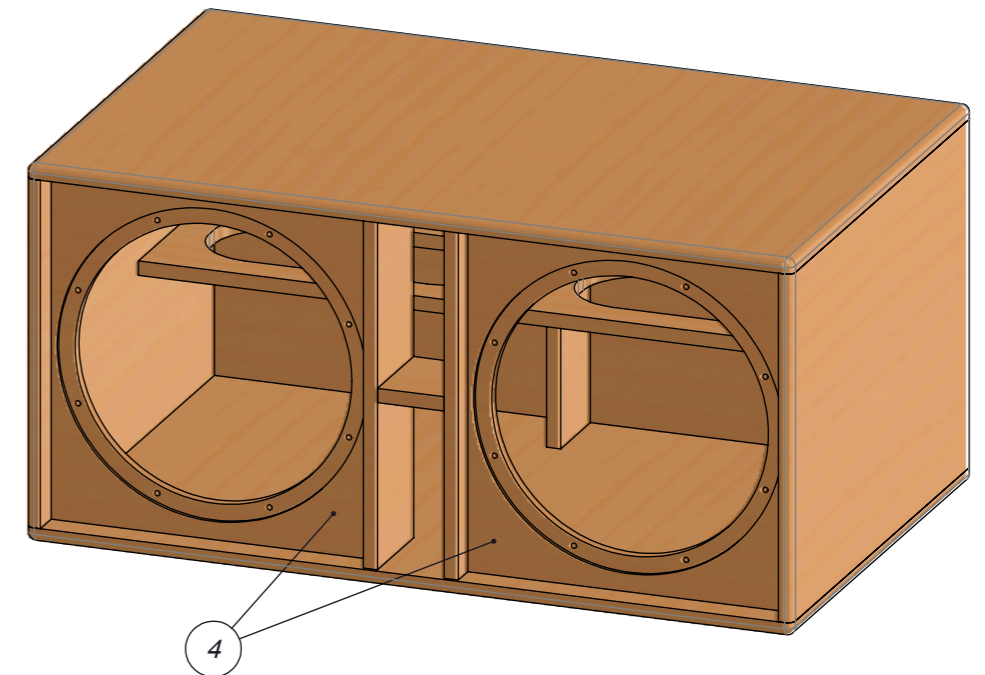
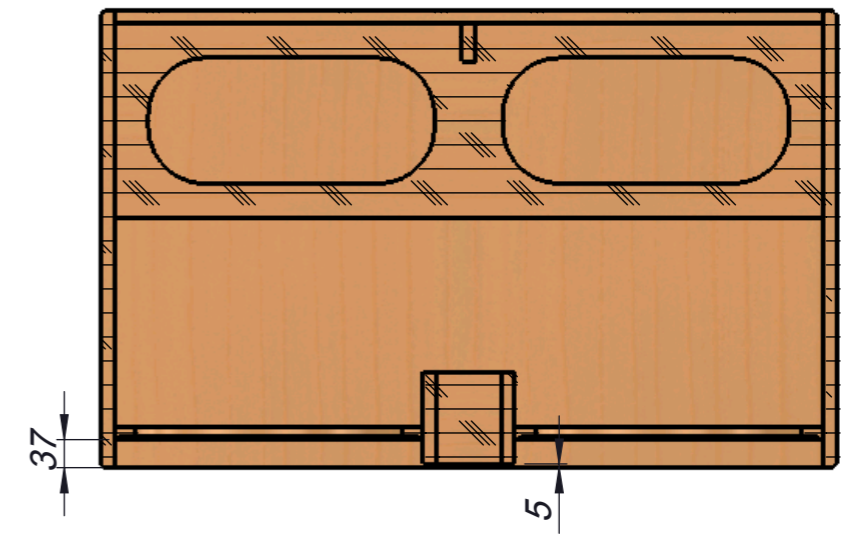
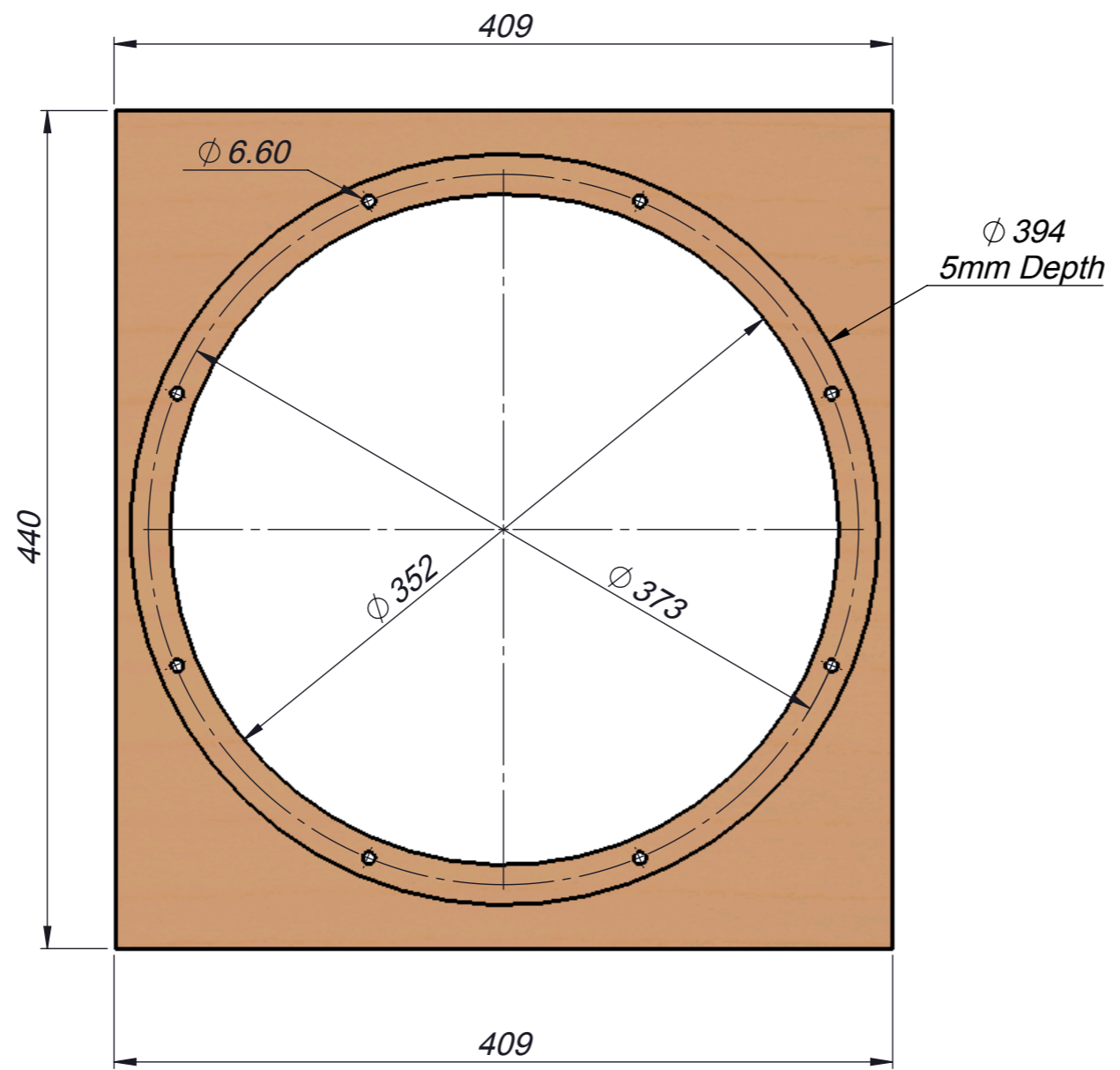
PARTS LIST

ITEM NO.	PARTS DIMENSIONS	QTY.
1	975 x 604 x 18	2
2	604 x 440 x 18	2
3	939 x 440 x 18	1
4	440 x 409 x 18	2
5	939 x 256 x 18	1
6	440 x 100 x 18	1
7	122 x 85 x 18	1
8	440 x 122 x 18	2

SIDES

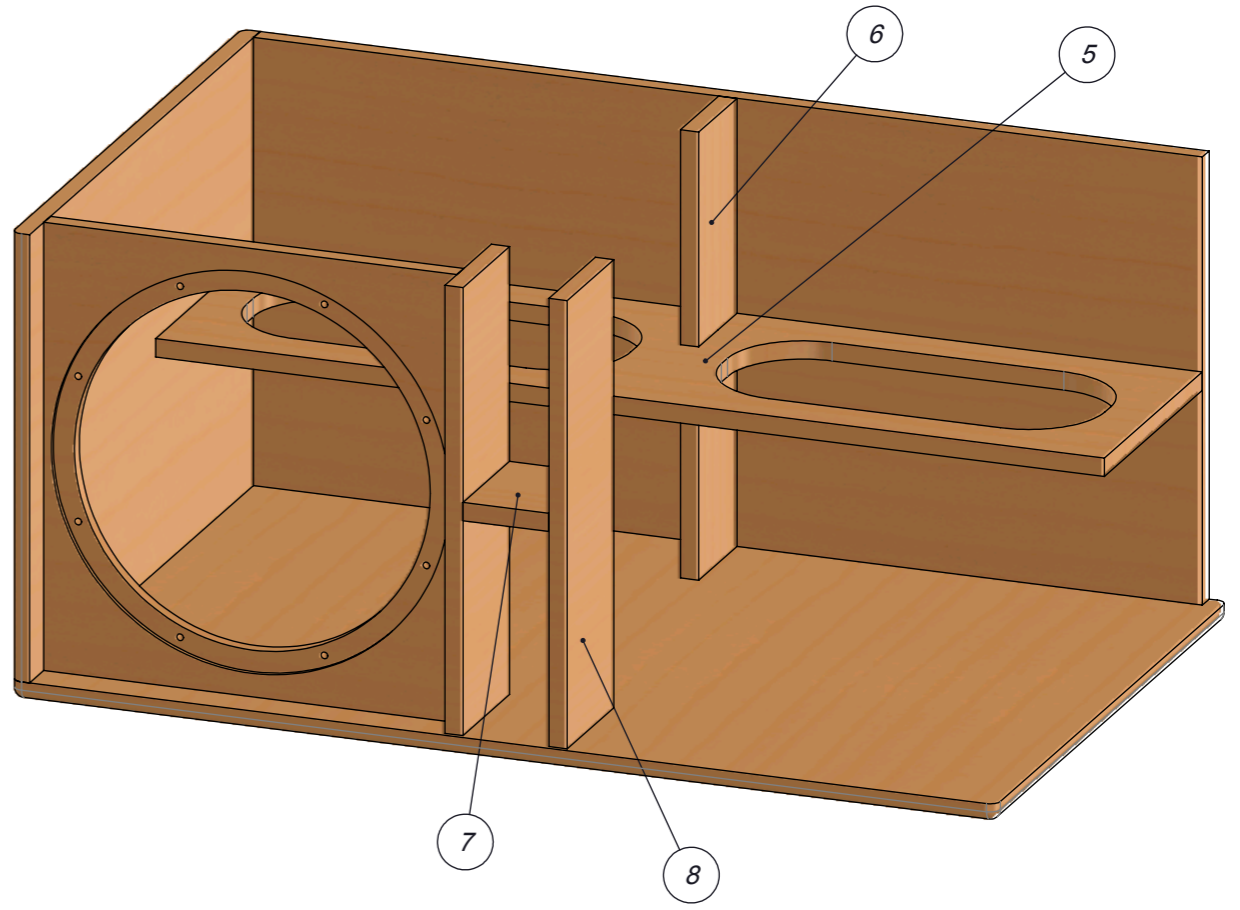
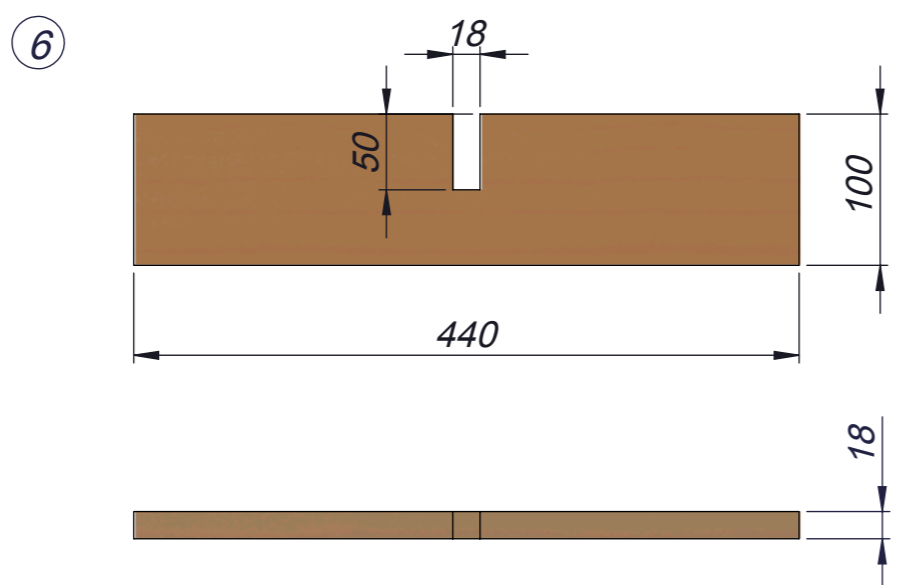
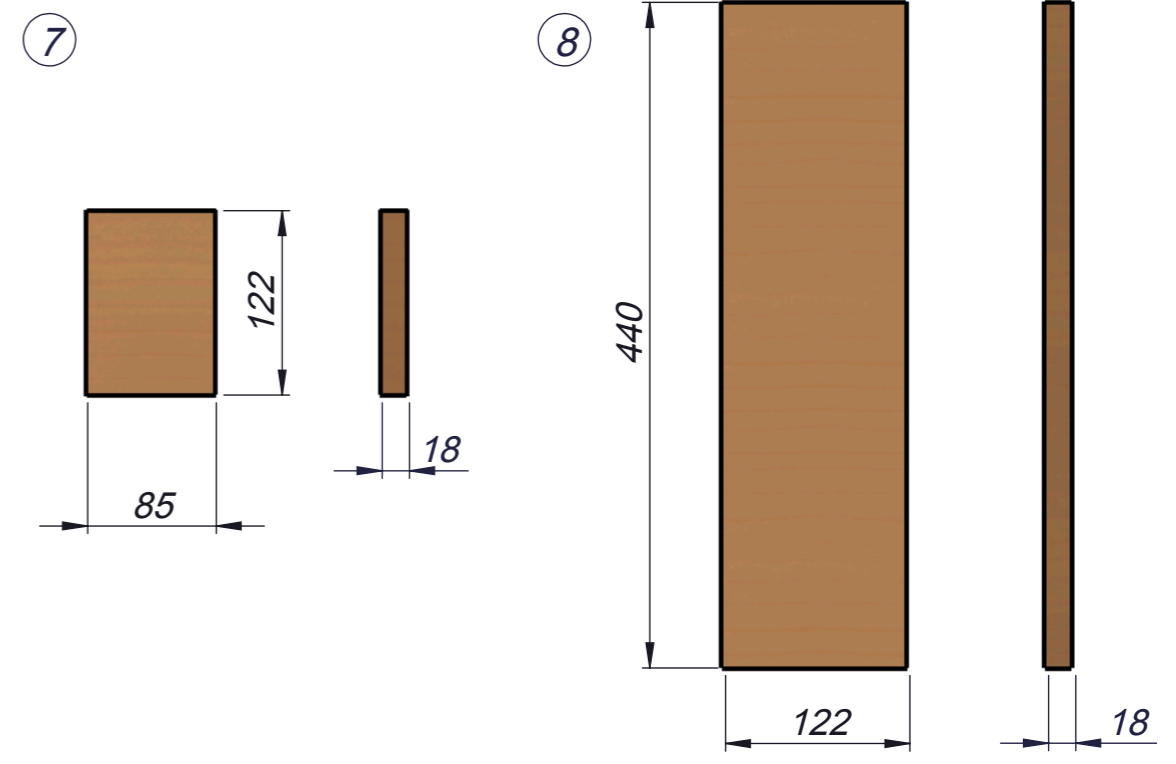
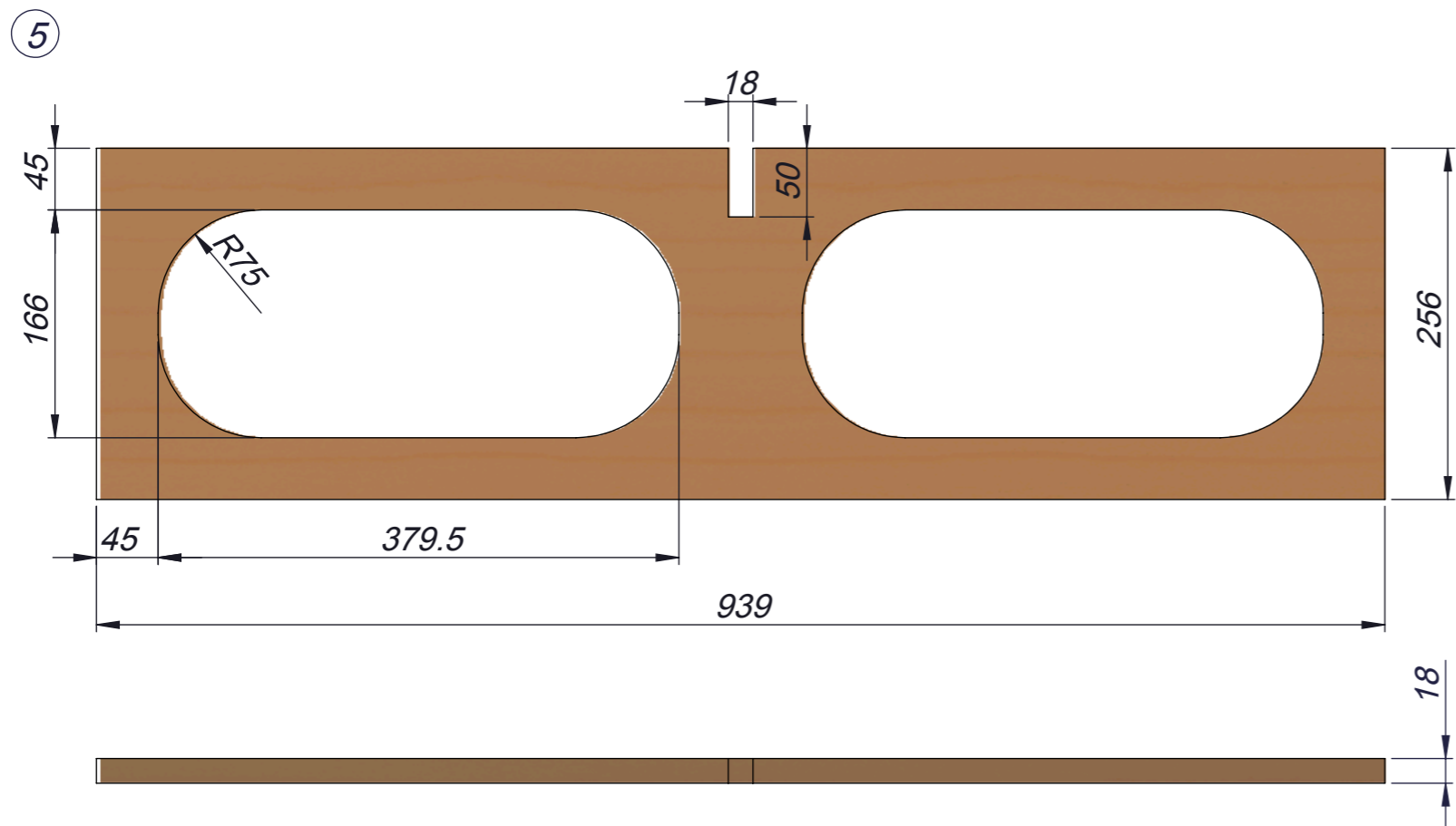


FRONT PANEL



INNER REINFORCEMENT

VENT



beyma  **S-SERIES**

DIRECT RADIATION VENTED SUBWOOFERS

