

beyma  **G-112GA**

MI-SERIES GUITAR CABINET
Single 12GA50 Full Range Transducer



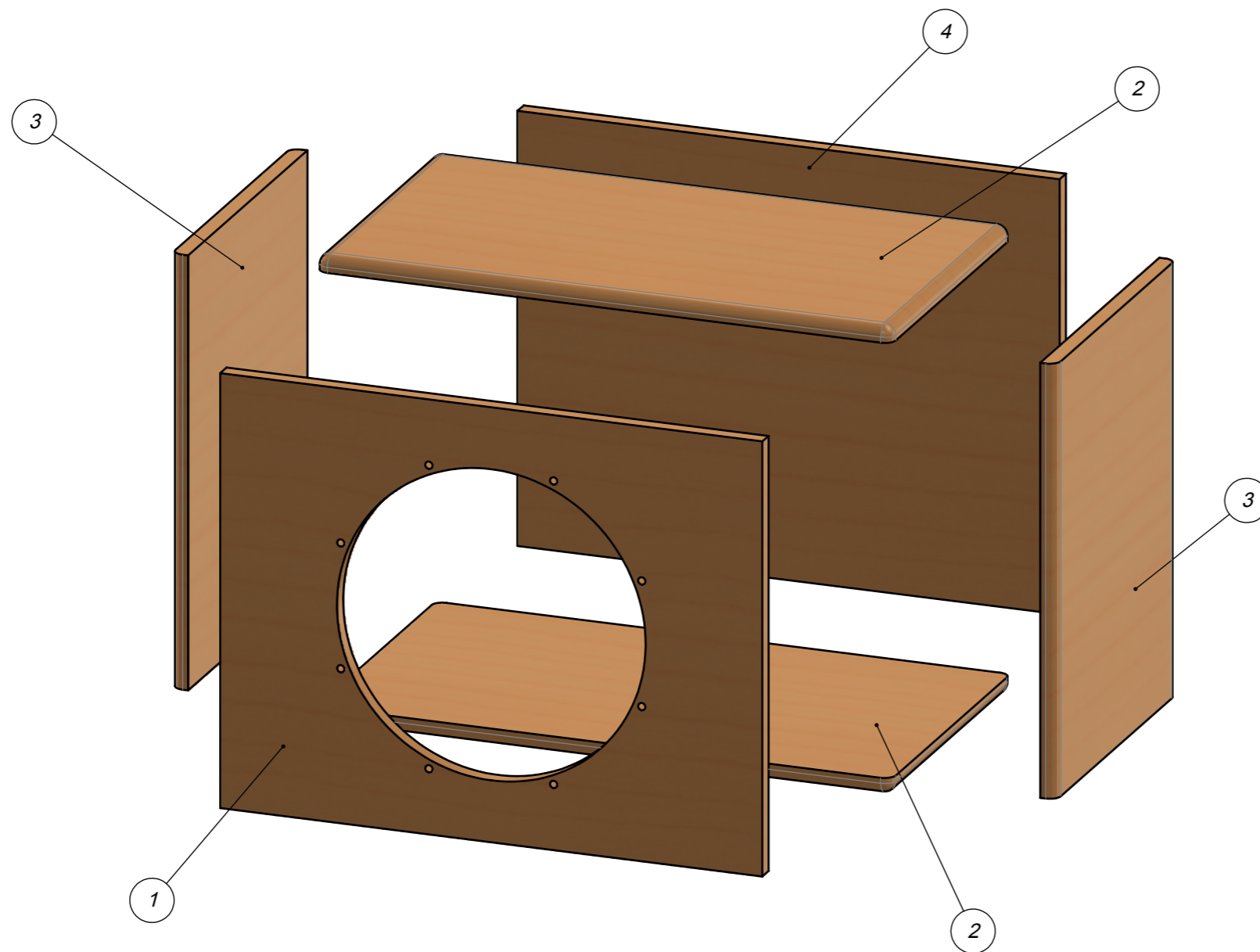
TECHNICAL SPECIFICATIONS

Frequency response (-3 dB)	98 Hz - 16 kHz
Usable bandwidth (-10 dB)	63 Hz - 20 kHz
Maximum SPL (*)	126 dB
Sensitivity 1W@1m	102 dB
Transducers LF:	12GA50
AES power handling:	250 W
Nominal impedance:	8 Ω
Connectors:	2 x NL4
Box Dimensions (**)	520 x 420 x 285 (Birch Plywood 15mm)
Weight	10 Kg (22 lb)

(*) Peak level at 1 m under free field conditions using pink noise with 2 crest factor (6 dB).
 (**) All dimensions in this files are in millimeters.



EXPLODED VIEW

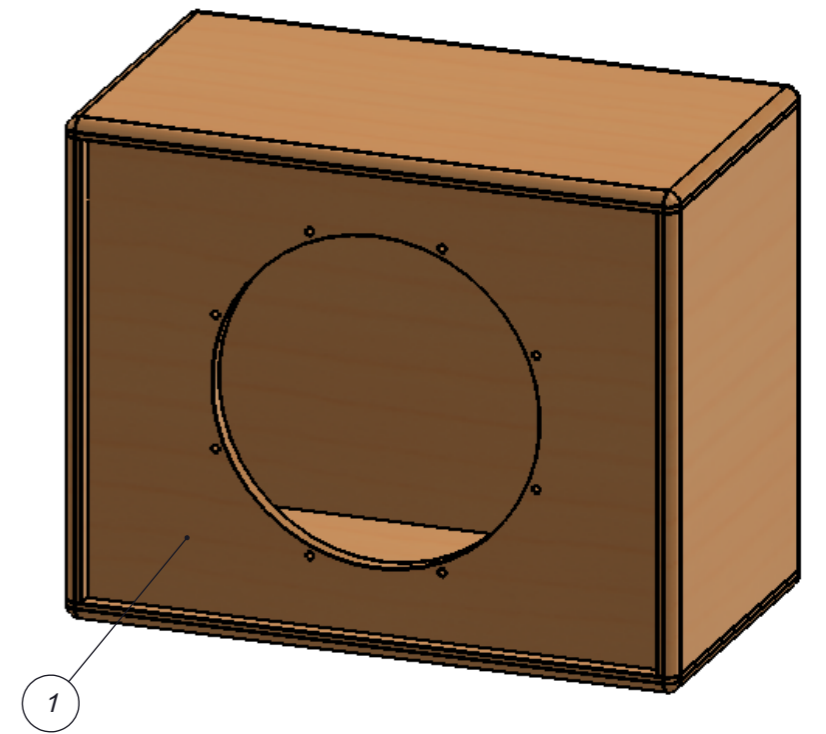
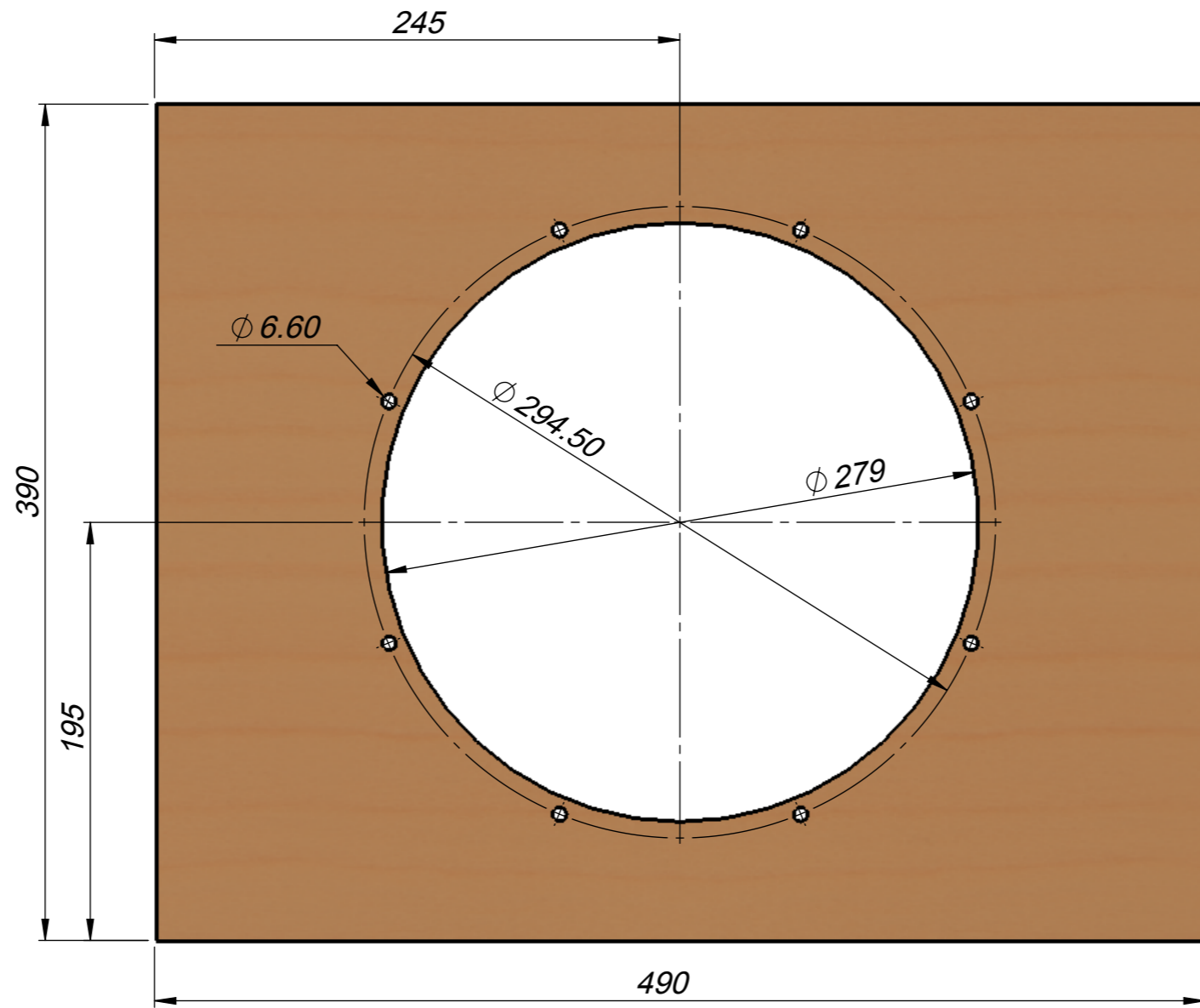


PARTS LIST

ITEM NO.	PARTS DIMENSIONS	QTY.
1	490 x 390 x 15	1
2	520 x 285 x 15	2
3	285 x 390 x 15	2
4	490 x 285 x 15	1

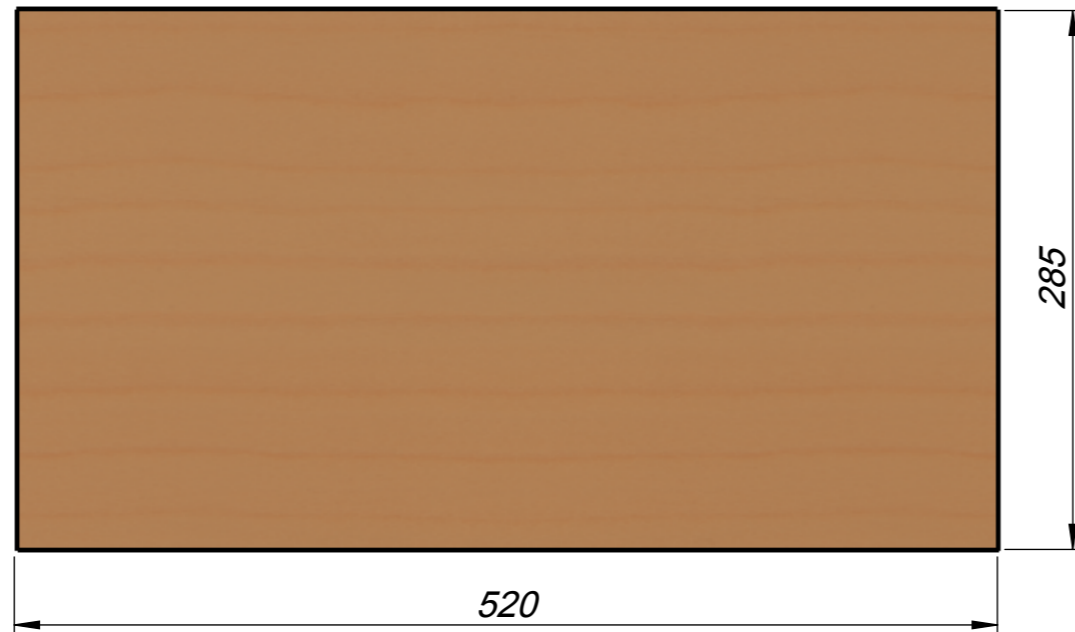
FRONT PANEL

1

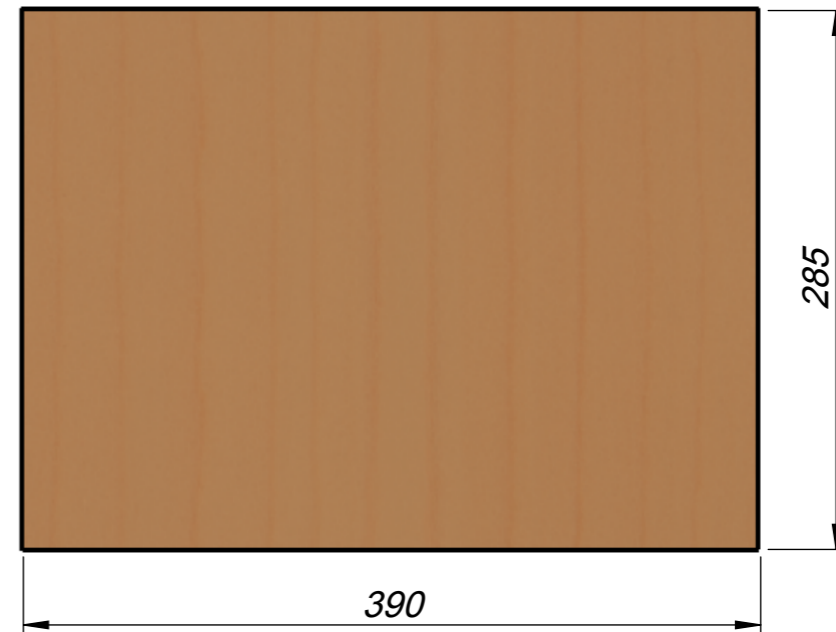


SIDES

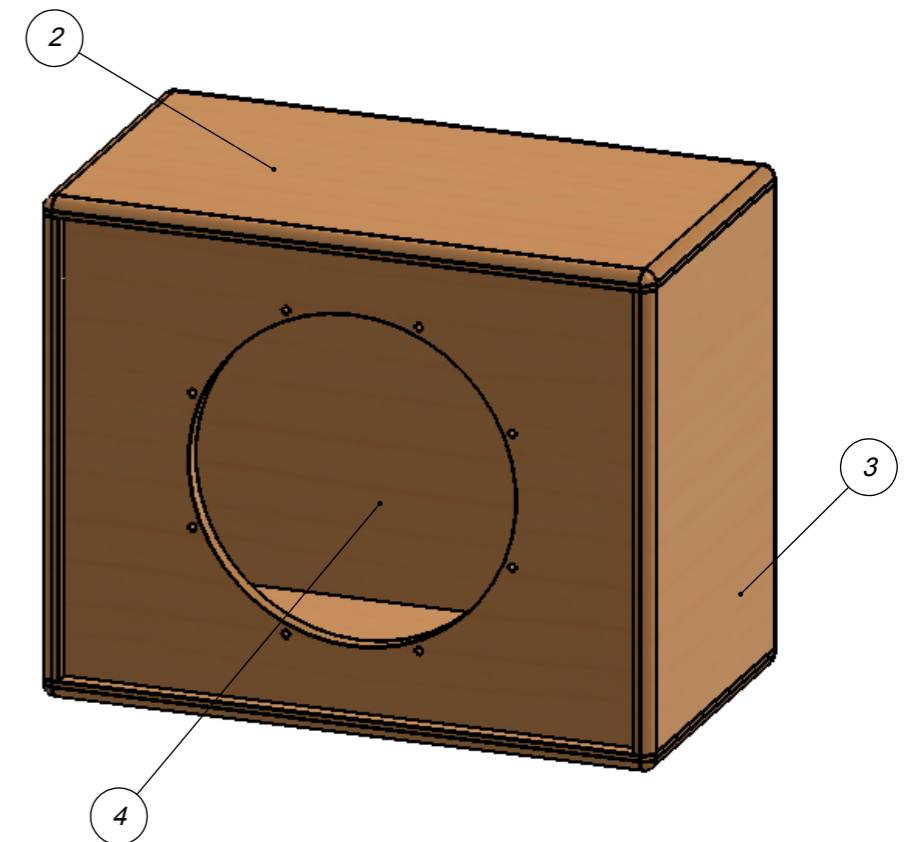
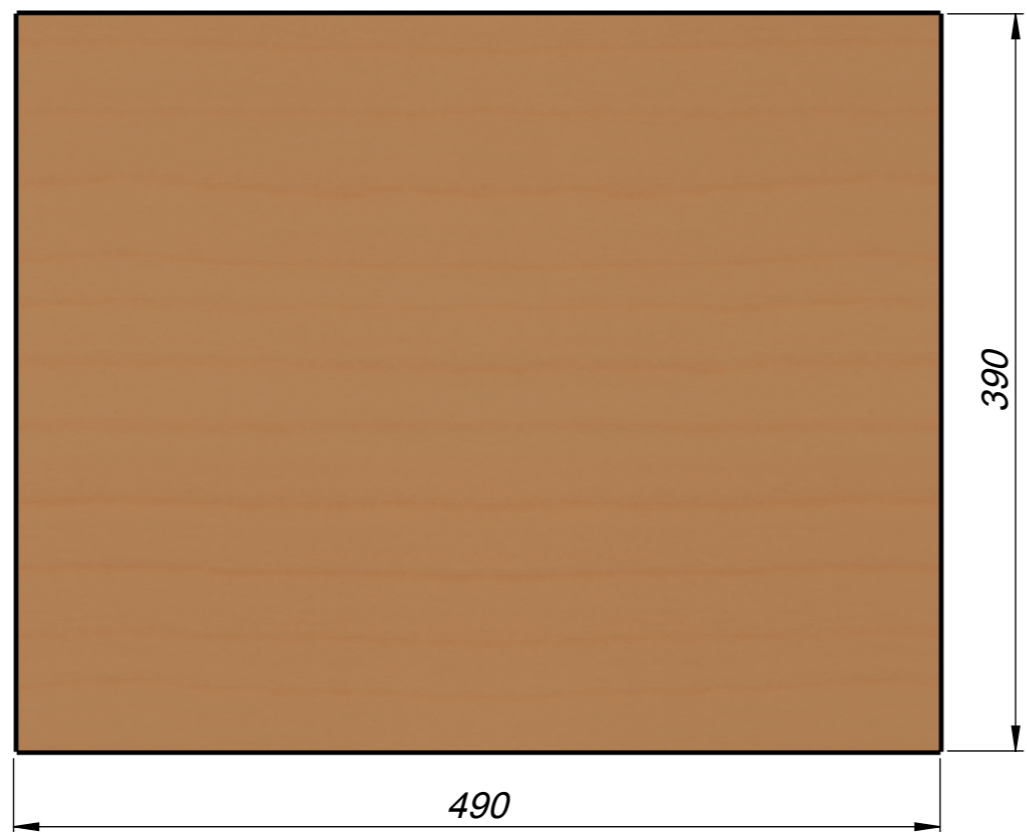
2



3



4



beyma  **MI SERIES**

G-112GA & B-210WR
GUITAR & BASS CABINETS

