

beyma **FR-12WR**

FULL RANGE 2 WAY SYSTEM 12"

12WR400 - CD14Fe - TD-385



TECHNICAL SPECIFICATIONS

Frequency response (± 3 dB)	67 Hz - 20 kHz
Usable bandwidth (-10 dB)	44 Hz - 20 kHz
Maximum SPL (*)	131 dB
Sensitivity 1W@1m	99 dB
HxV Coverage angle (-6 dB)	80°x50° Rotatable
Transducer LF:	12WR400
Transducer HF:	CD14Fe coupled to TD-385
AES power handling:	400 W
Nominal impedance:	8 Ω
Connectors:	2 x NL4
Speaker Dimensions:(**)	370 x 630 x 368 (Birch Plywood 15mm)
<p><small>(*) Peak level at 1 m under free field conditions using pink noise with 2 crest factor (6 dB). (**) All dimensions in this files are in millimeters.</small></p>	

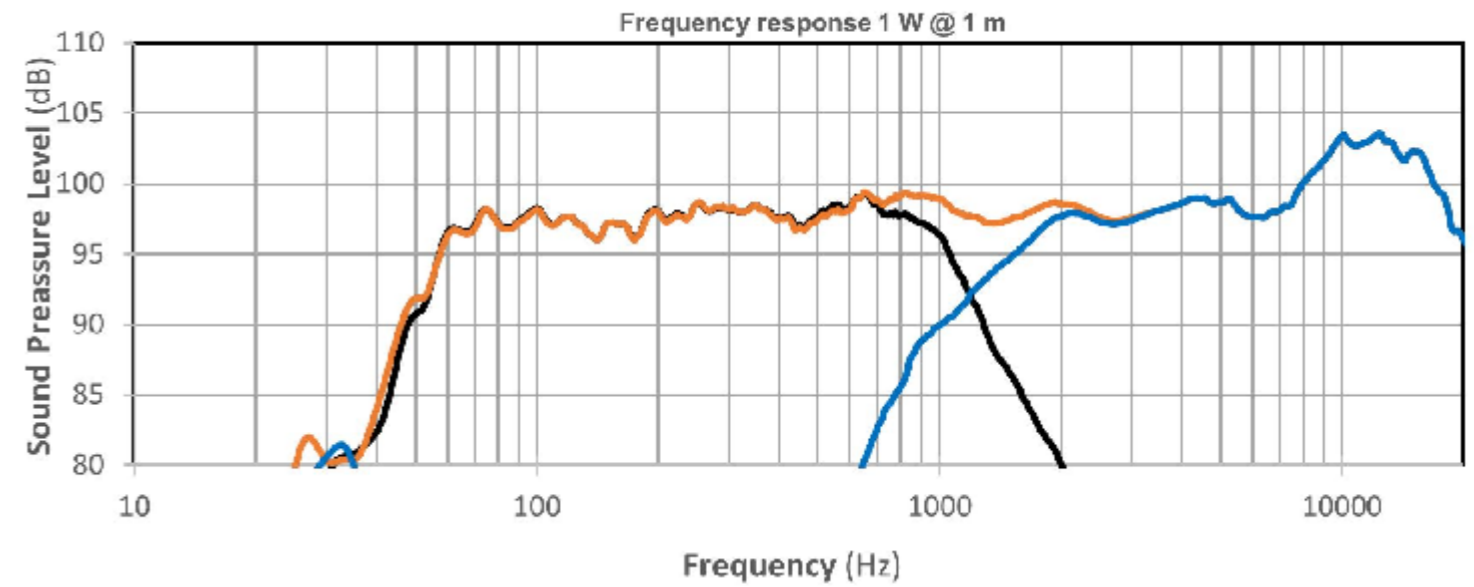


PRESETS

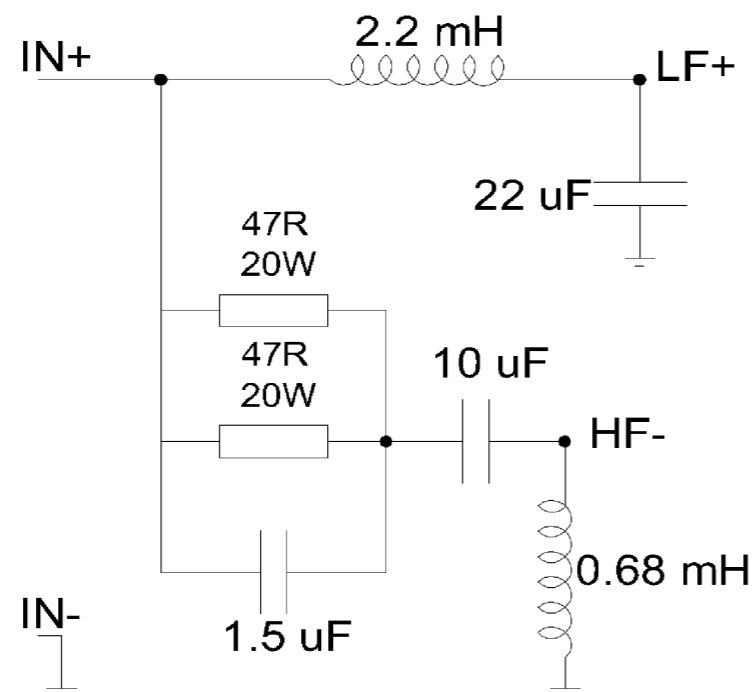
FR-12WR	f (Hz)	Q	Gain (dB)
1	98	1,2	4
2	273	3,8	-2,5
3	445	3,4	2
4	6350	5,7	2
LIMITER (*)	Threshold	Attack	Release
	5 dBu	15 ms	164 ms

**for 32 dB Gain amplifier*

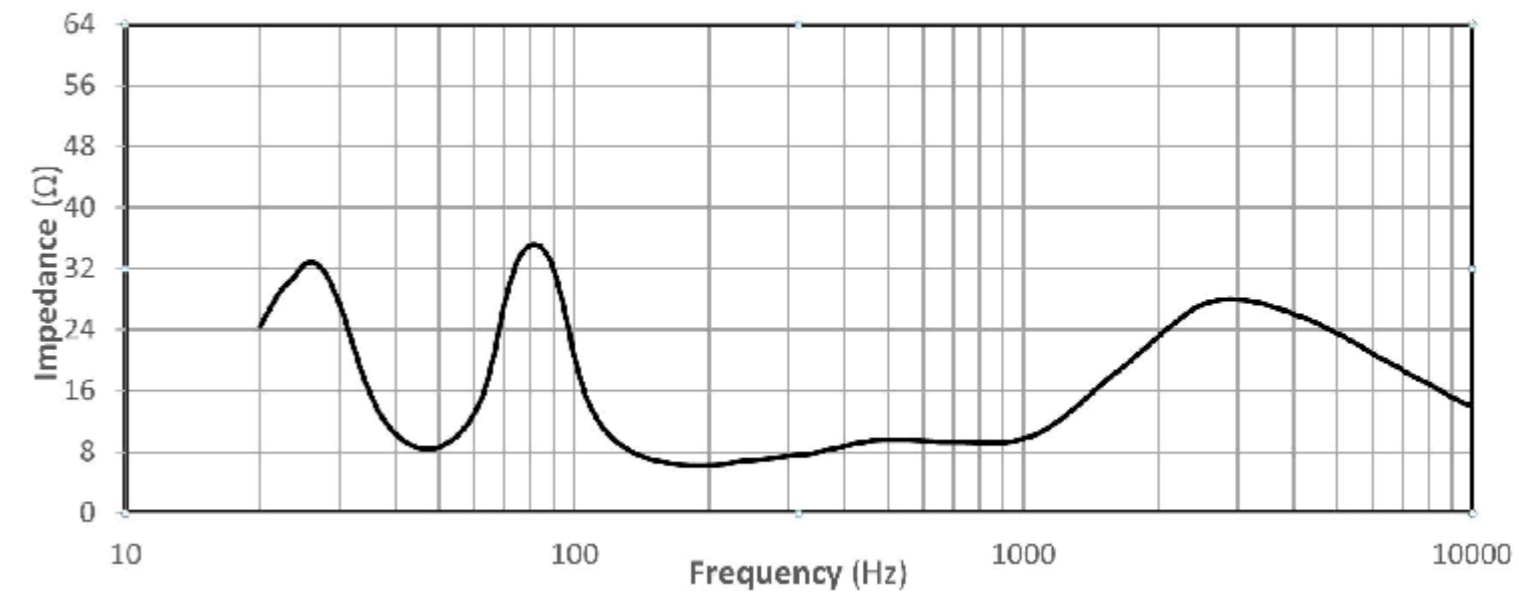
FREQUENCY RESPONSE



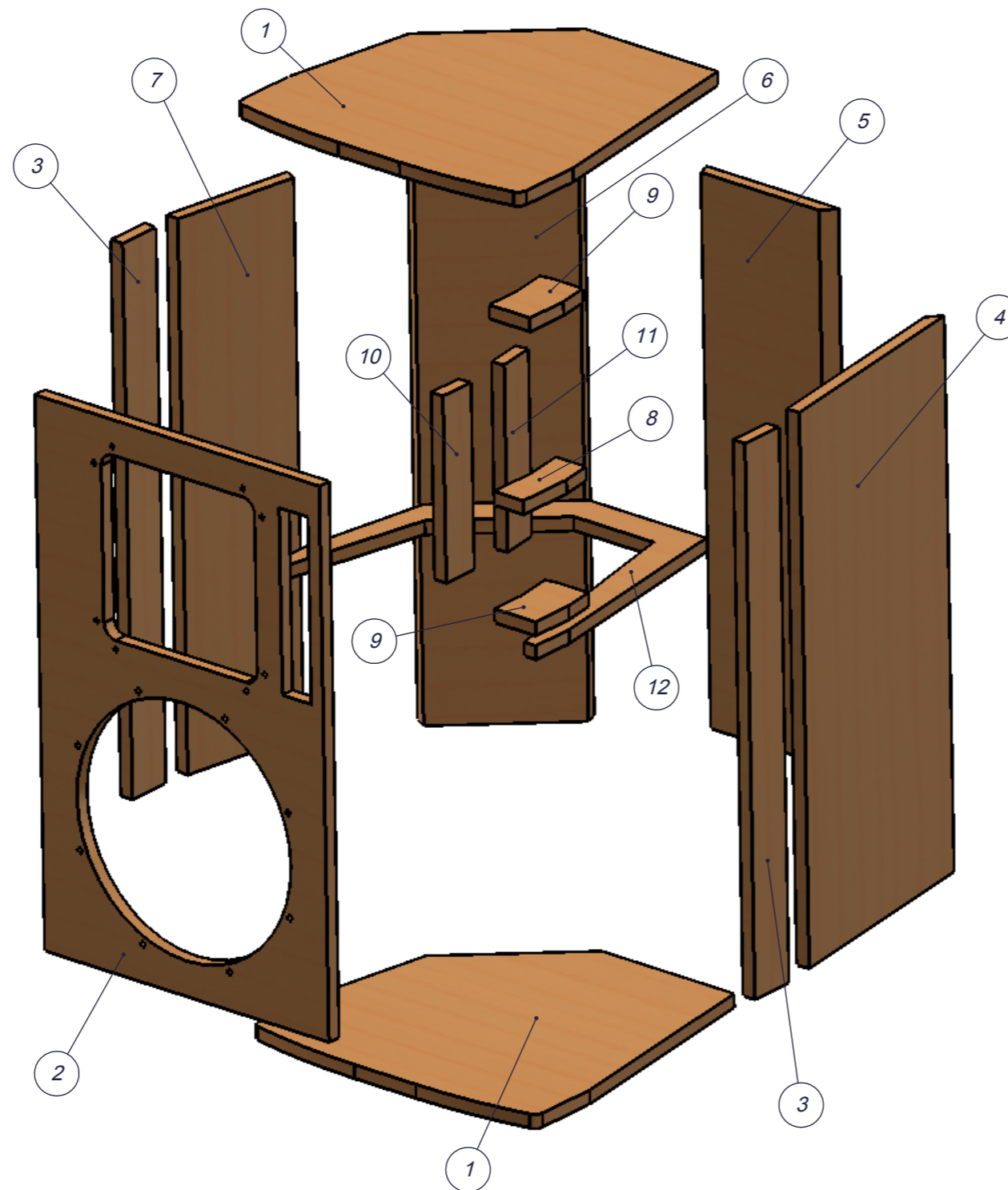
PASSIVE CROSSOVER DESIGN



IMPEDANCE



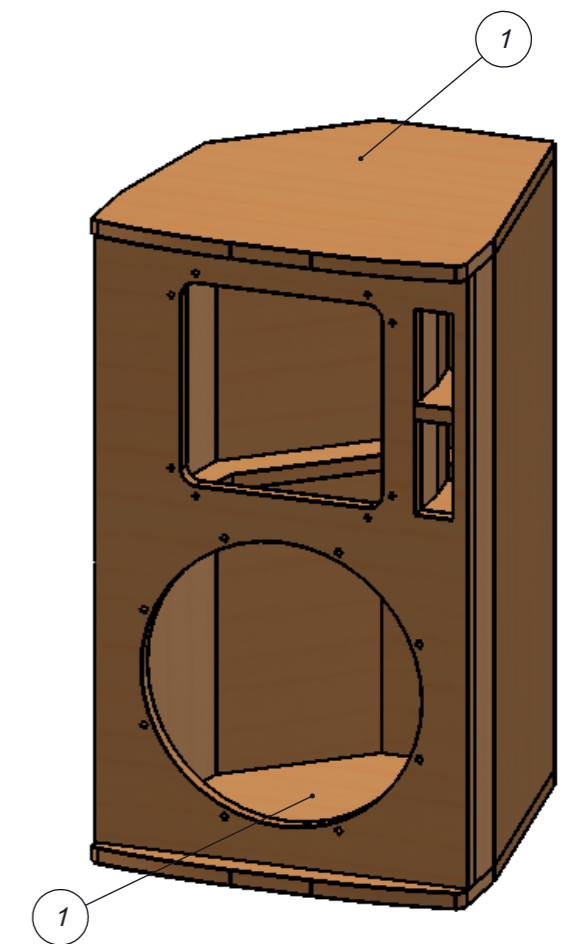
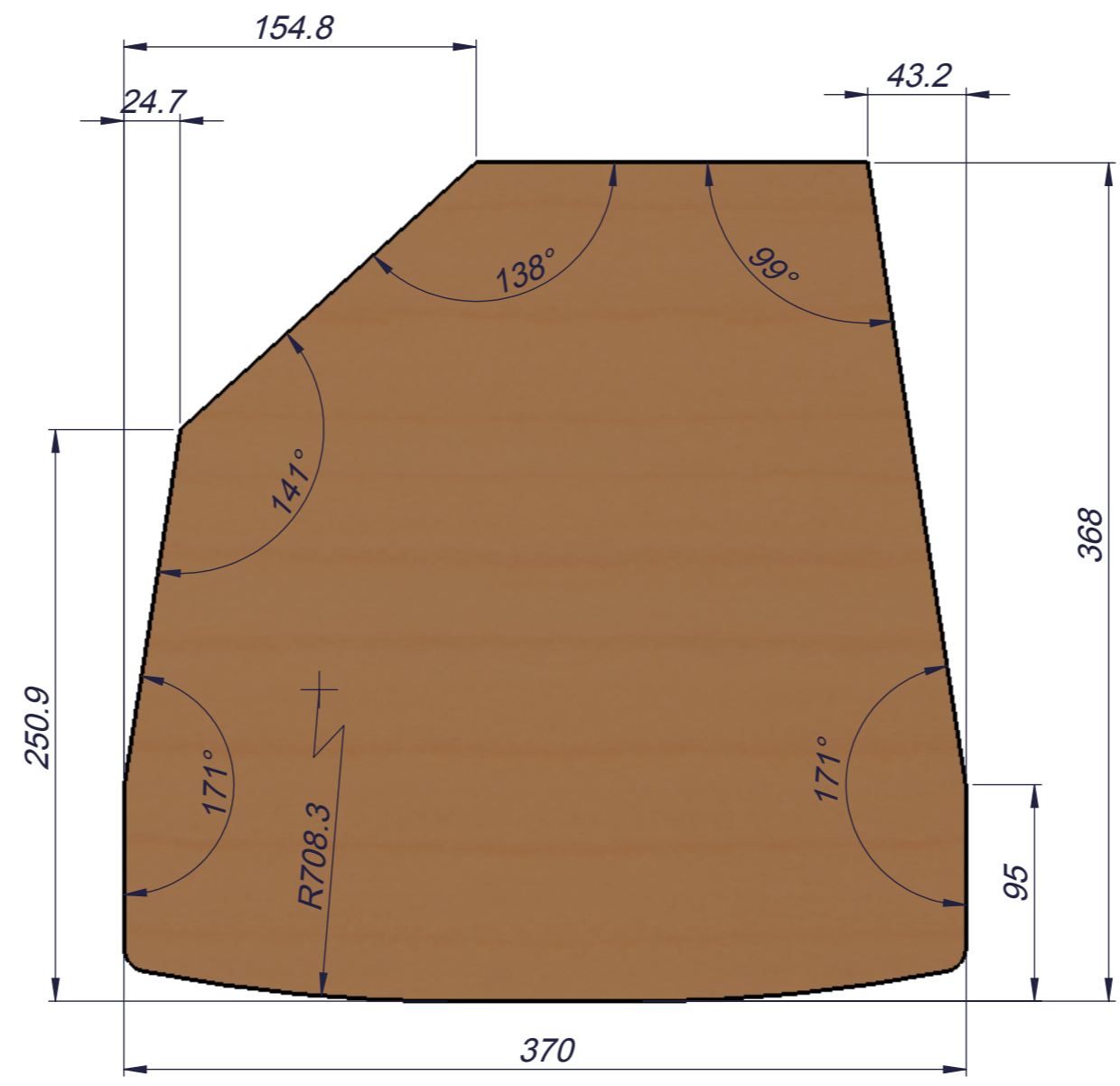
EXPLODED VIEW



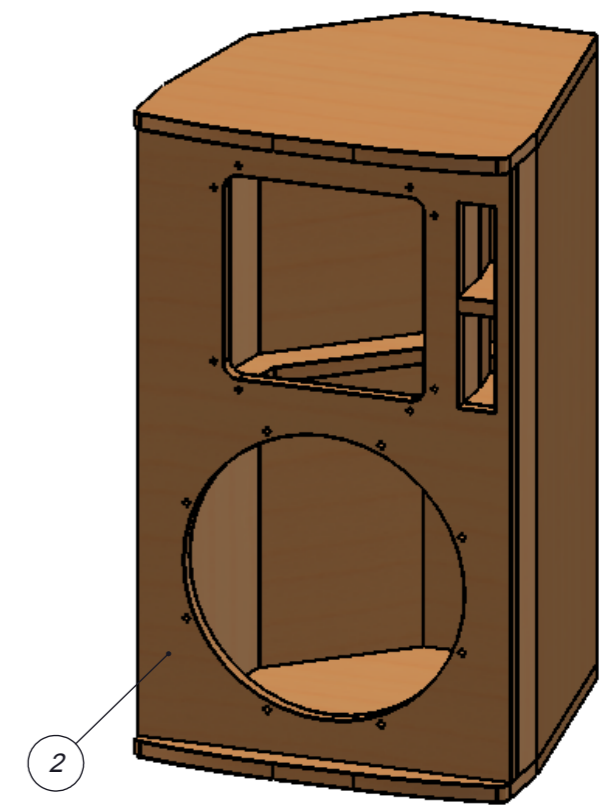
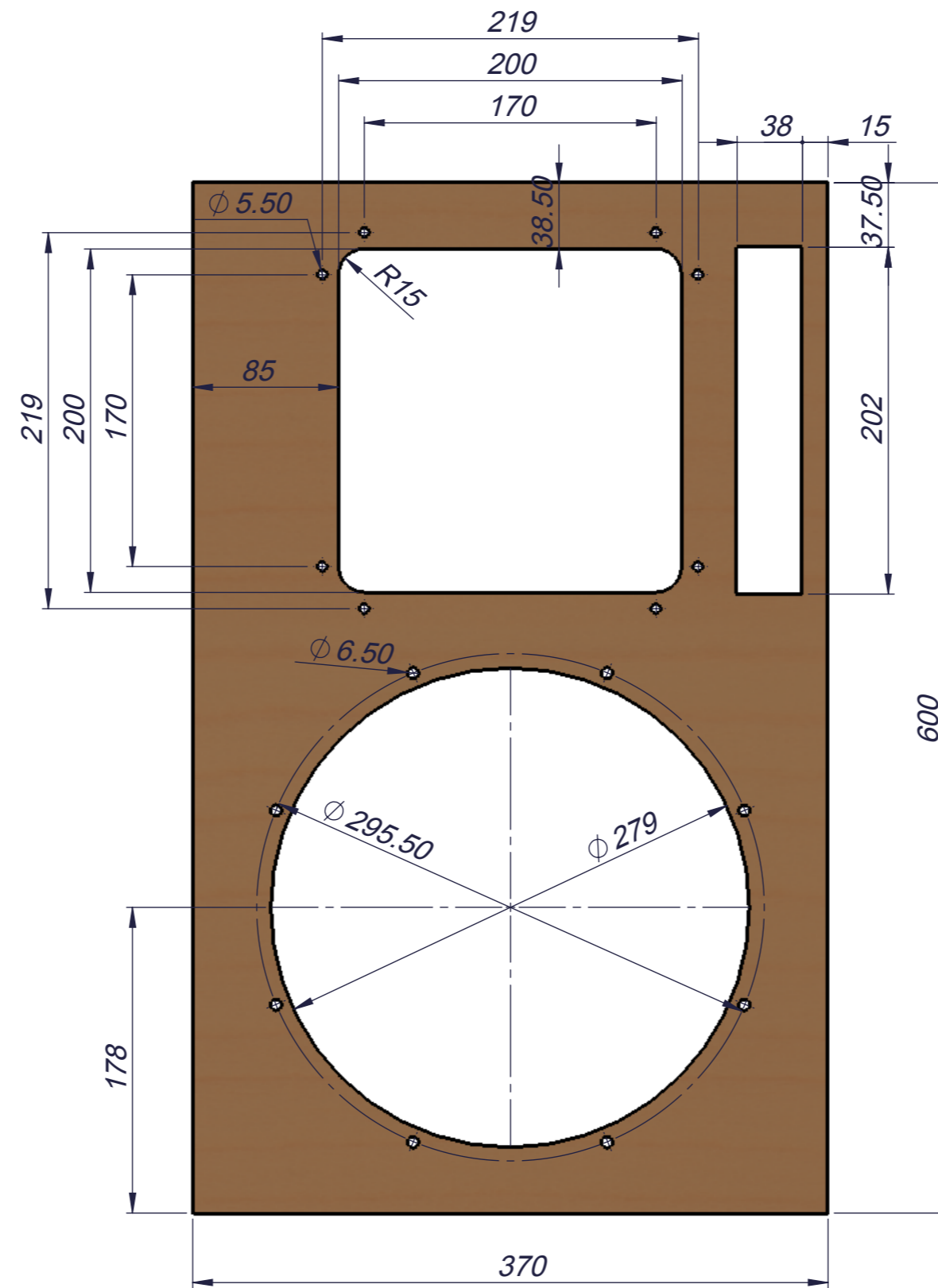
PARTS LIST

ITEM N°.	PARTS DIMENSIONS	QTY.
1	370 x 386 x 15	2
2	370 x 600 x 15	1
3	52 x 600 x 15	2
4	276.4 x 600 x 15	1
5	172 x 600 x 15	1
6	175 x 600 x 15	1
7	157.8 x 600 x 15	1
8	45.2 x 103 x 15	1
9	60 x 88 x 15	2
10	42.6 x 202 x 15	1
11	45.9 x 202 x 15	1
12	340 x 310 x 15	1

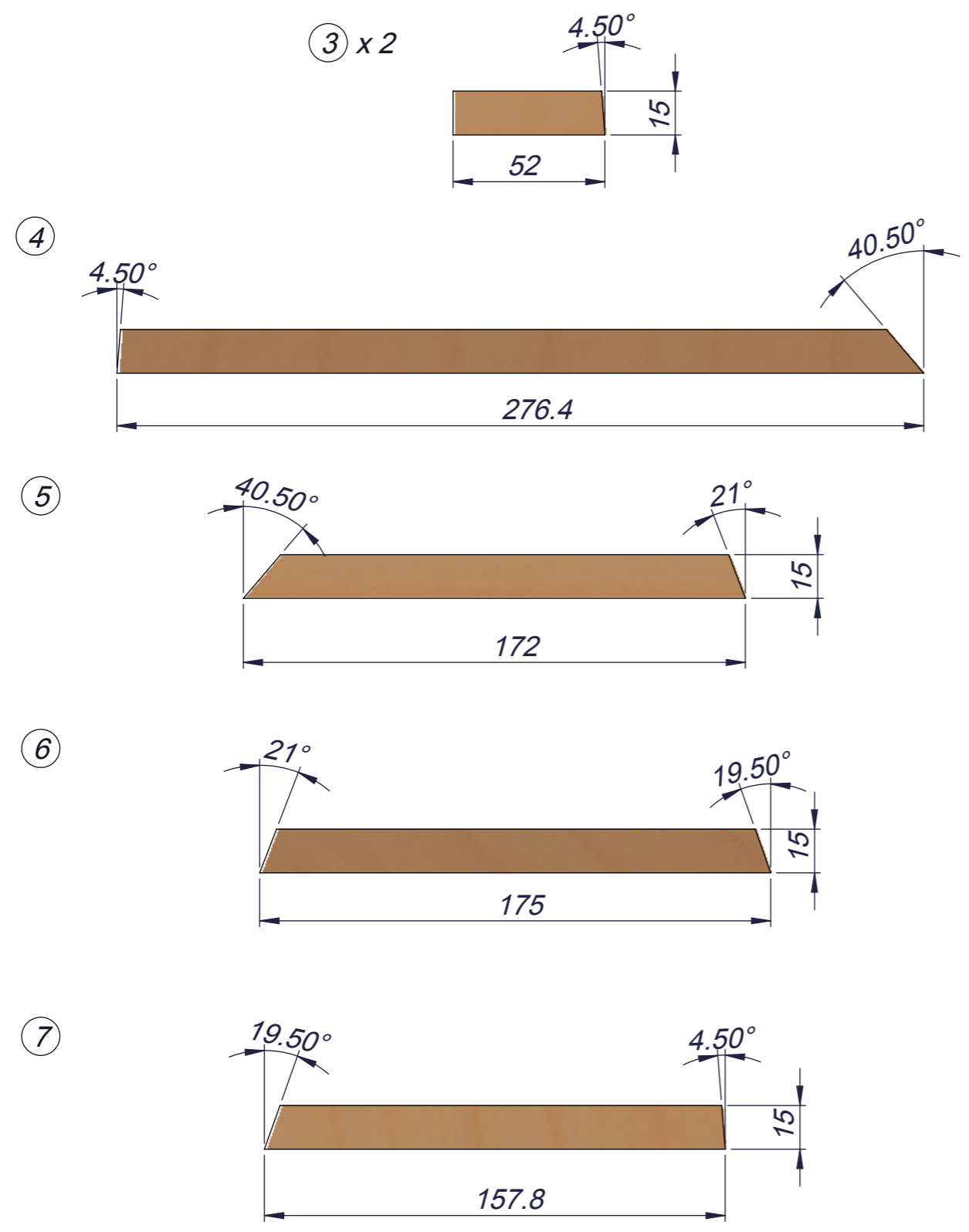
TOP AND BOTTOM PARTS



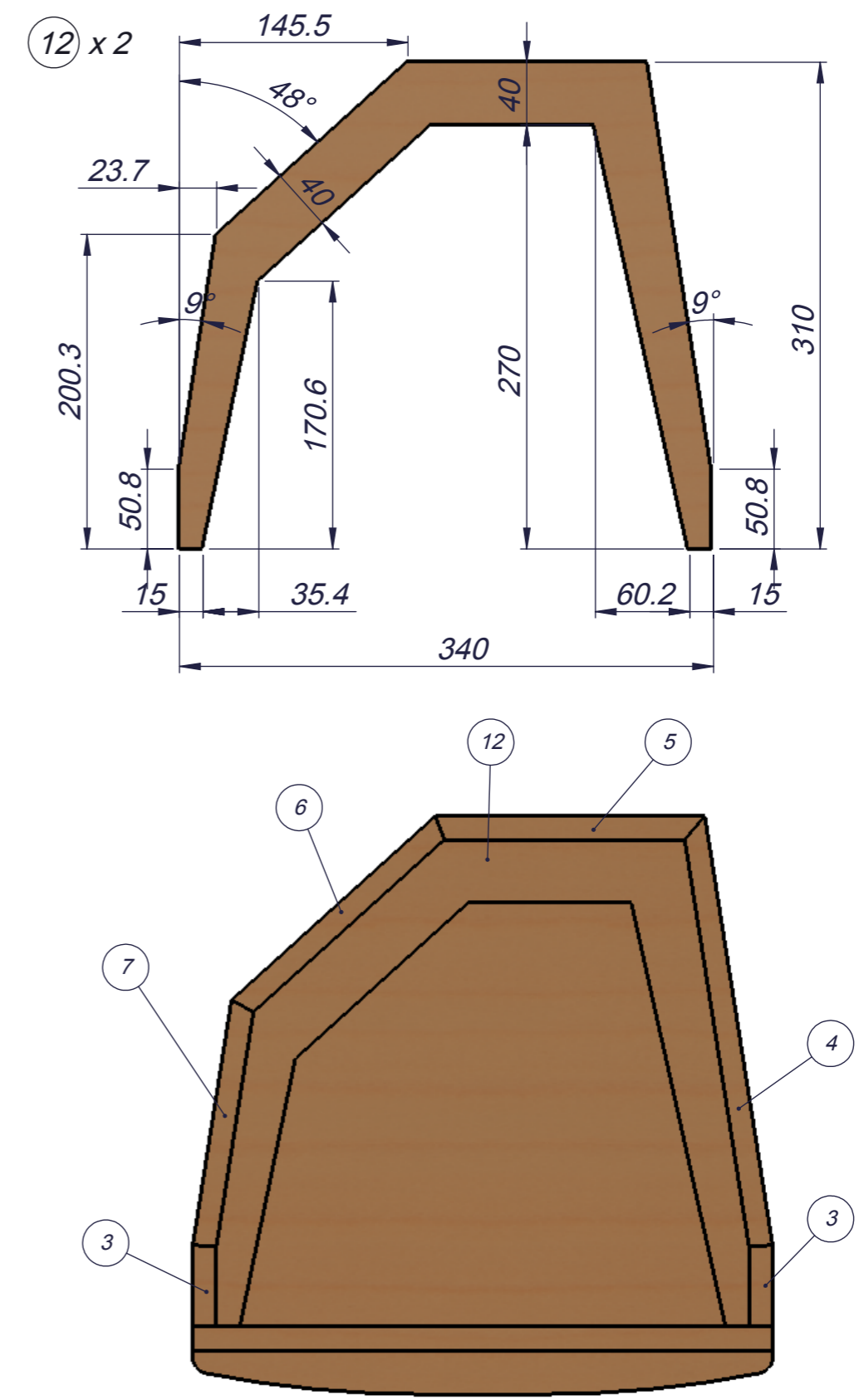
FRONT PANEL



SIDES

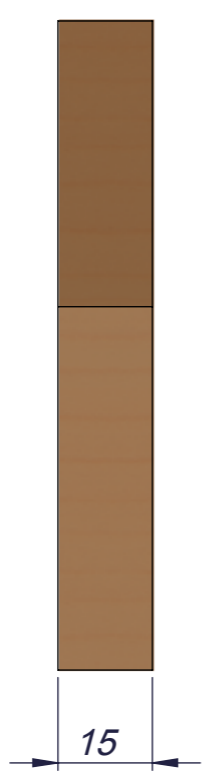
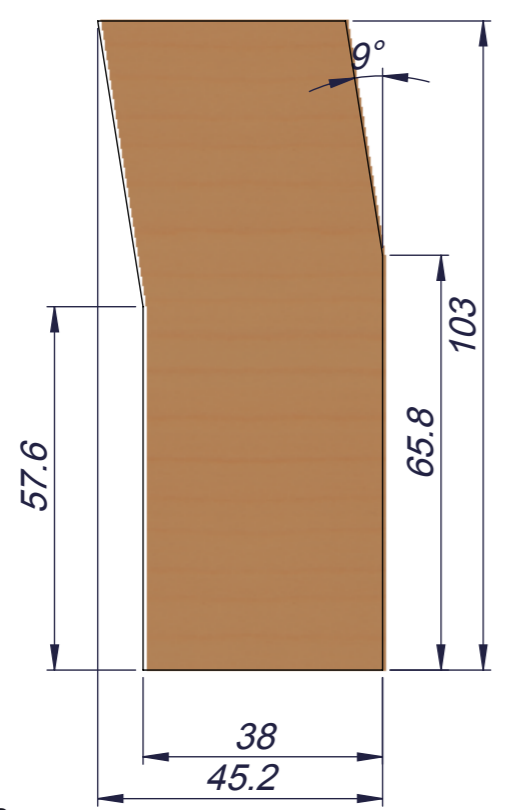


INNER REINFORCEMENT

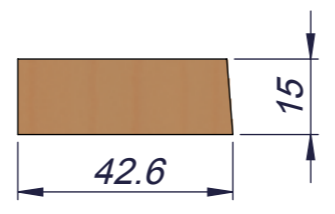


VENT ASSEMBLY

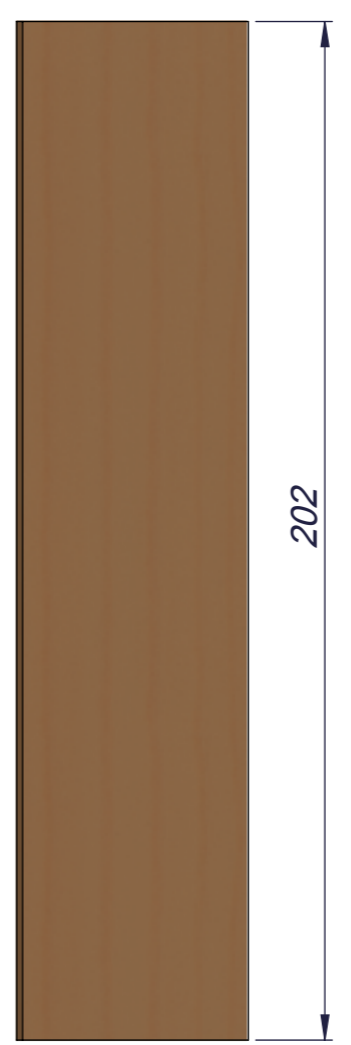
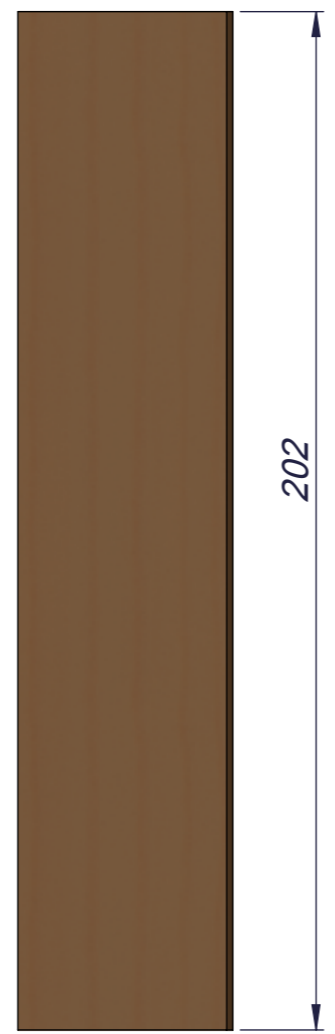
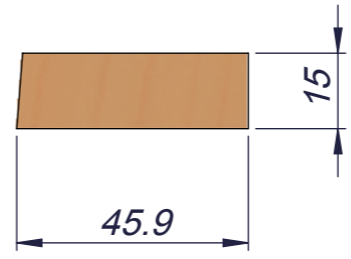
8



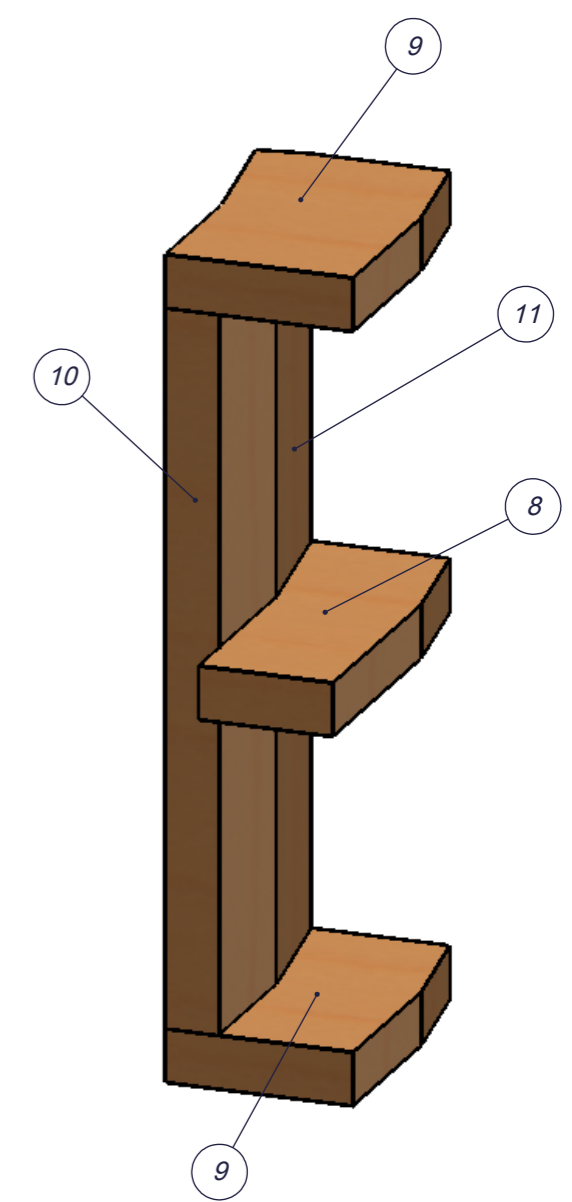
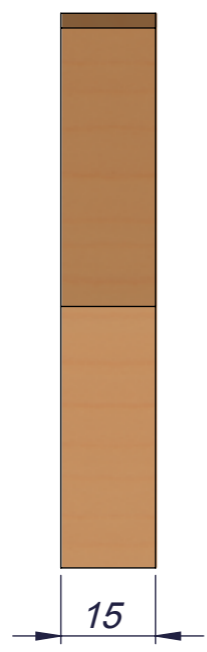
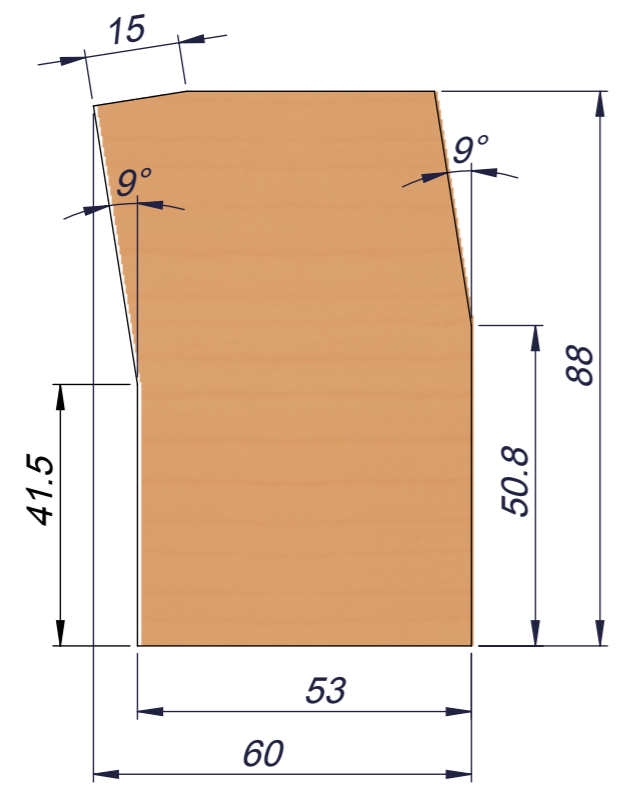
10



11



9 x 2



beyma  **FR-WR**

FULL RANGE 2 WAY SYSTEM SERIES

