

beyma **FR-15CM**

FULL RANGE 2 WAY SYSTEM 15"
15CMV2 - CD11Fe - TD-194



TECHNICAL SPECIFICATIONS

<i>Frequency response (± 3 dB)</i>	54 Hz - 20 kHz
<i>Usable bandwidth (-10 dB)</i>	36 Hz - 20 kHz
<i>Maximum SPL (*)</i>	128.5 dB
<i>Sensitivity 1W@1m</i>	97 dB
<i>HxV Coverage angle (-6 dB)</i>	90°x40° rotatable
<i>Transducers LF:</i>	15CMV2
<i>Transducers HF:</i>	CD-11Fe coupled to TD-194
<i>AES power handling:</i>	350 W
<i>Nominal impedance:</i>	8 Ω
<i>Connectors:</i>	2 x NL4
<i>Box Dimensions: (**)</i>	432 x 414 x 720 (Birch Plywood 15mm)

() Peak level at 1 m under free field conditions using pink noise with 2 crest factor (6 dB).**
() All dimensions in this files are in millimeters.**

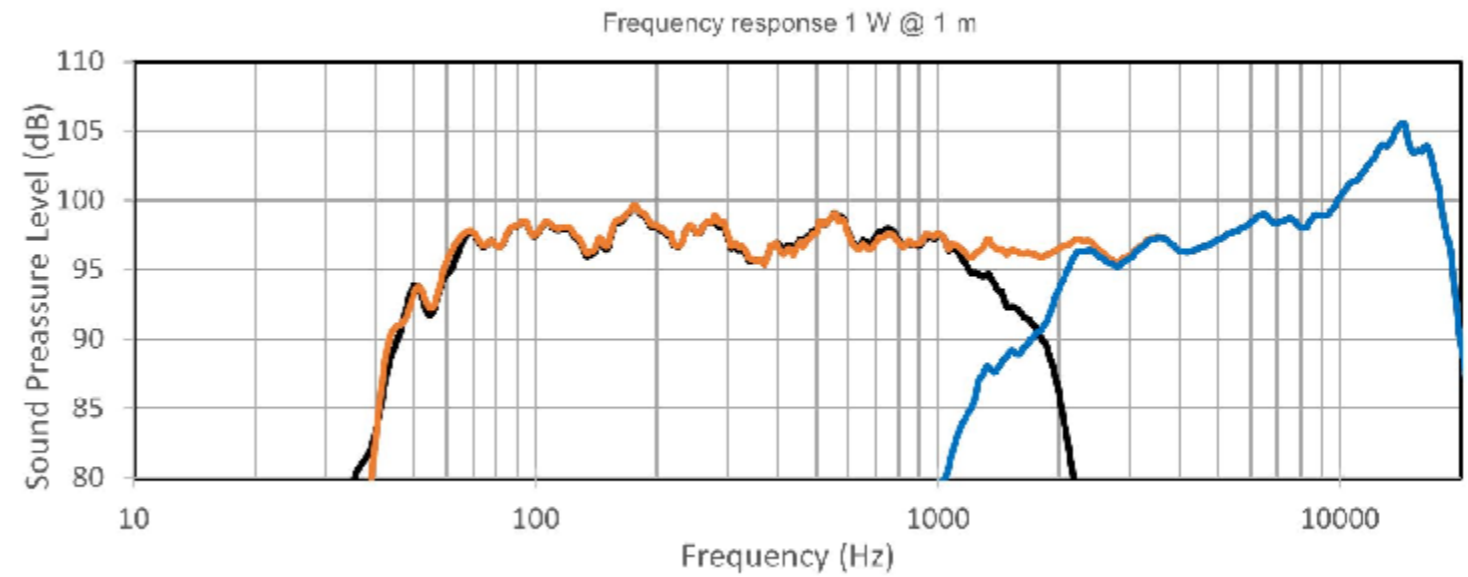


PRESETS

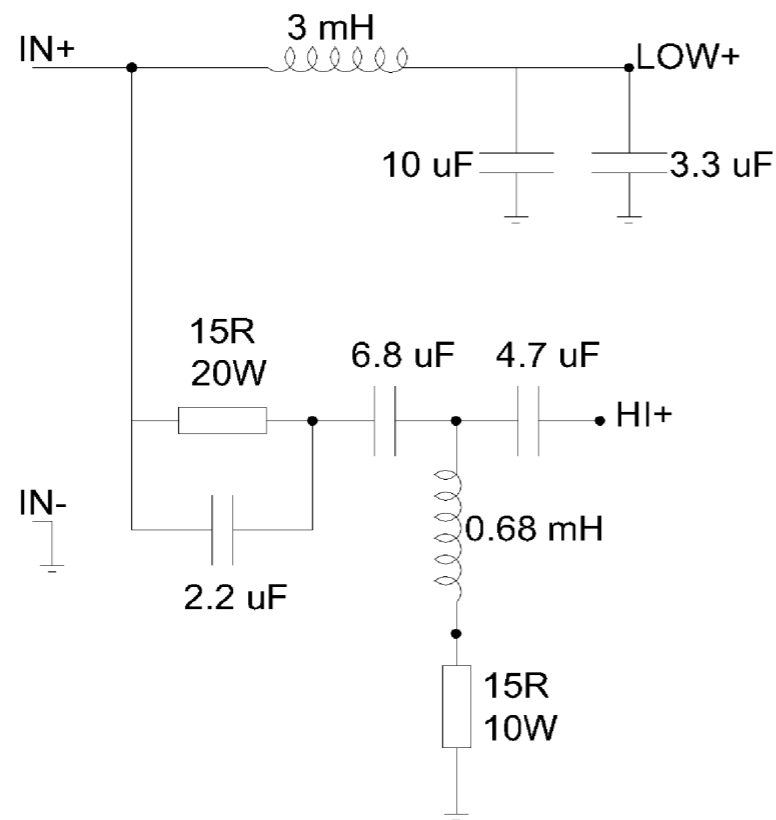
FR-15CM	f (Hz)	Q	Gain (dB)
1	80	1,5	+2
2	360	3,4	+2
3			
4			
LIMITER (*)	Threshold	Attack	Release
	5 dBu	18 ms	198 ms

**for 32 dB Gain amplifier*

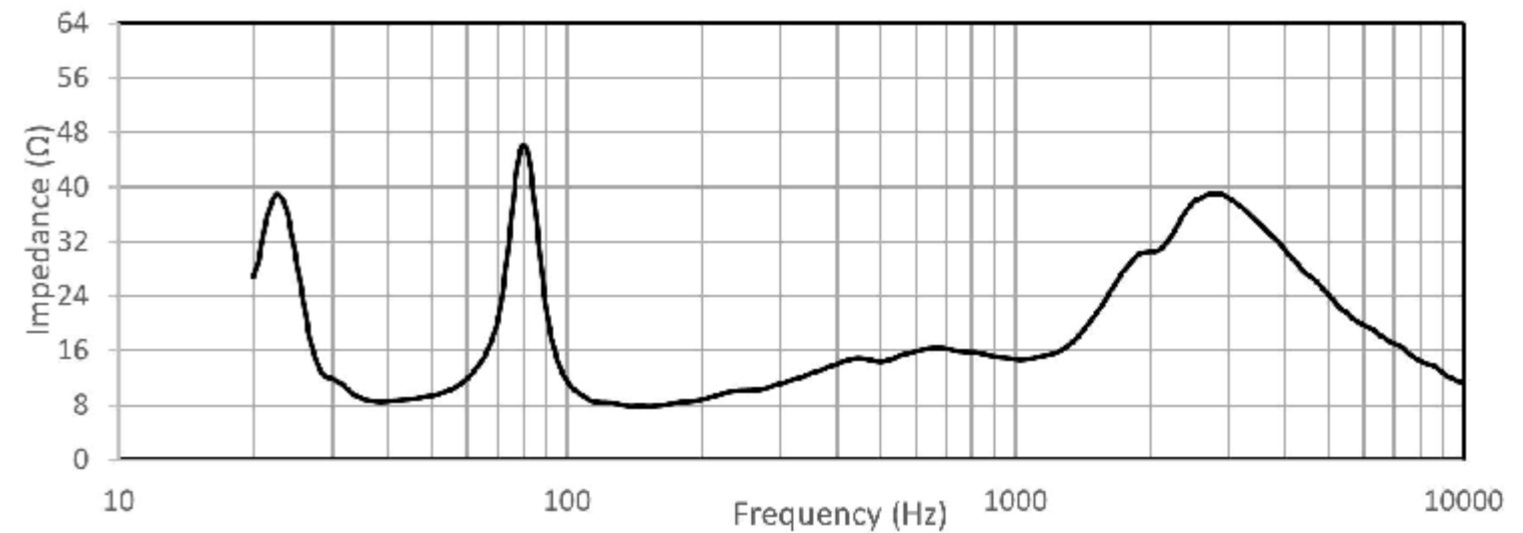
FREQUENCY RESPONSE



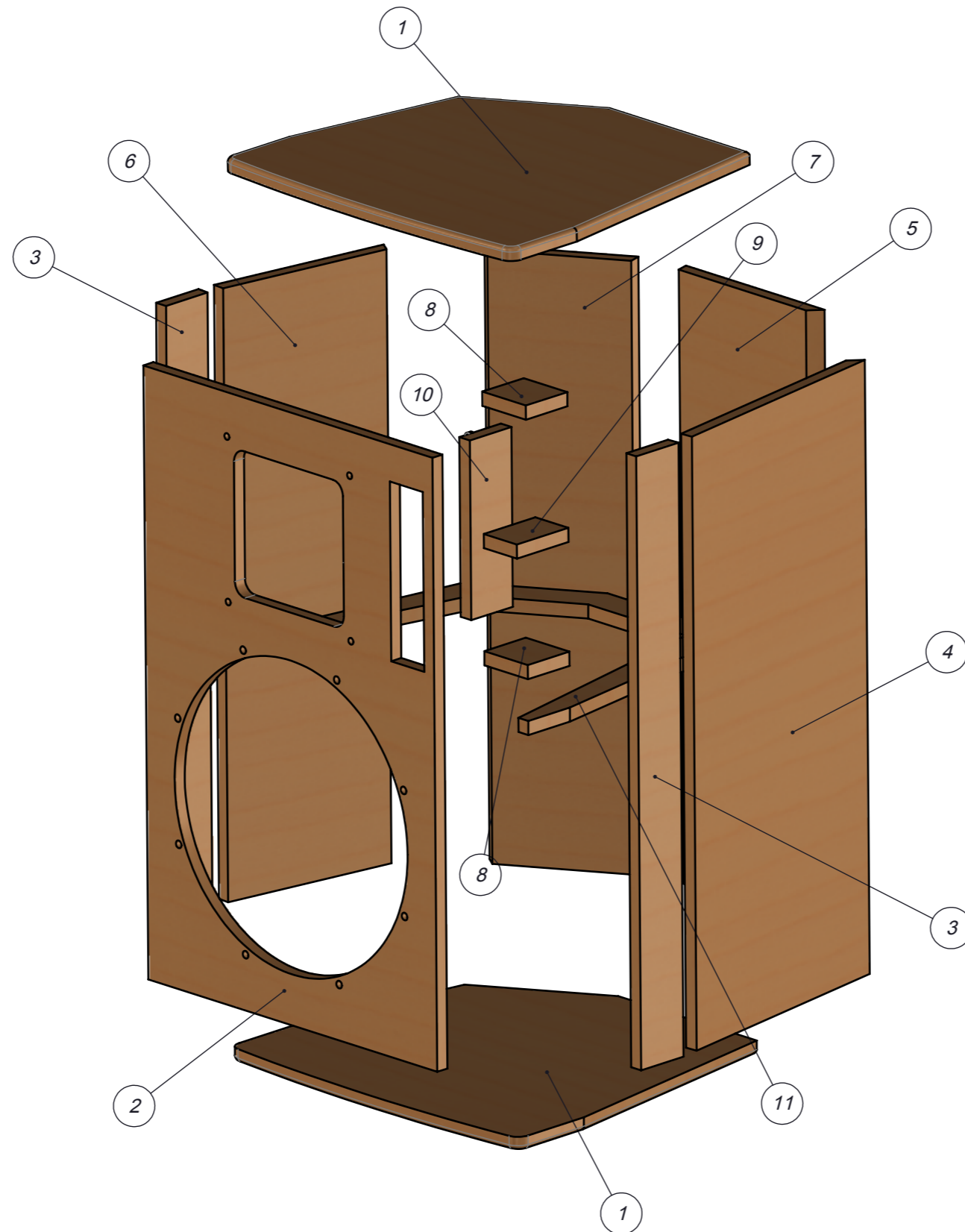
PASSIVE CROSSOVER DESIGN



IMPEDANCE



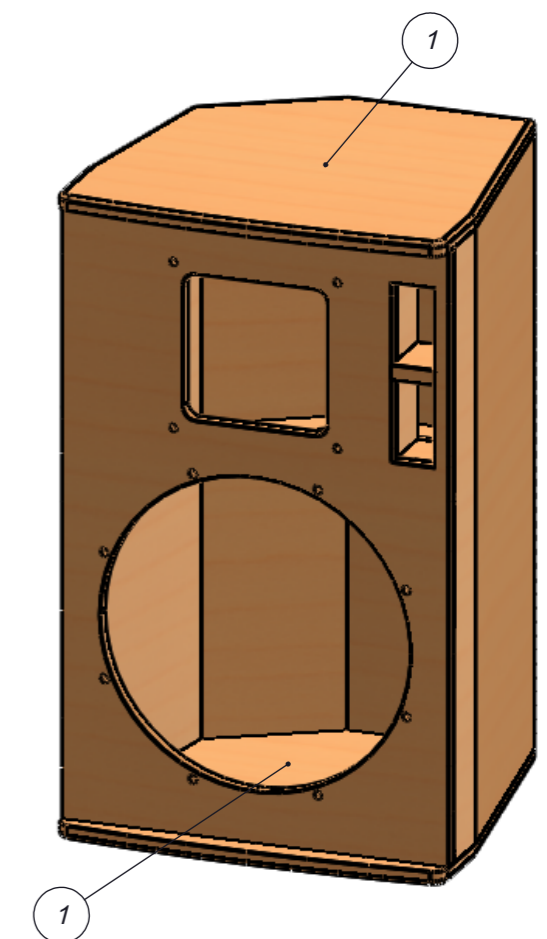
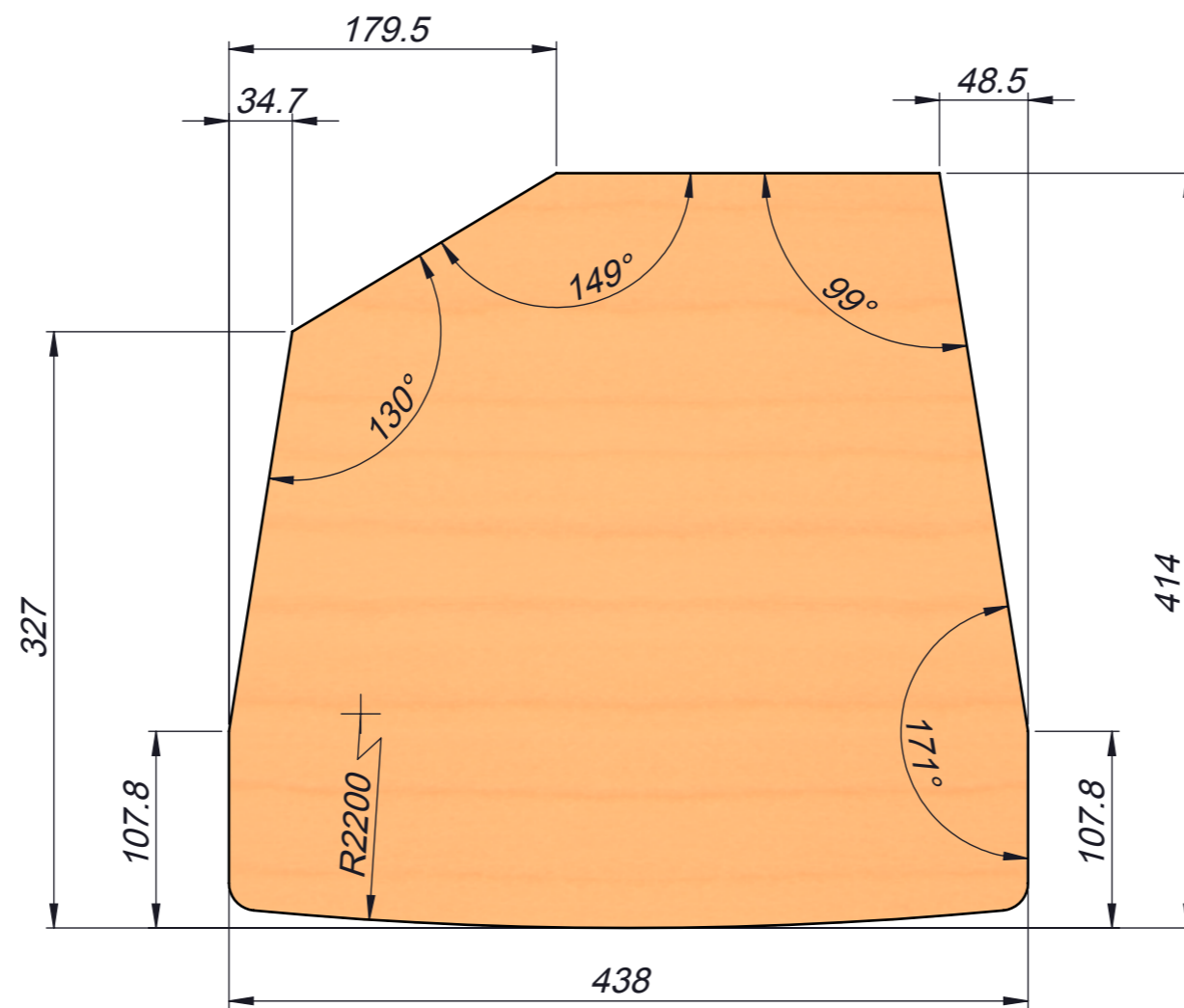
EXPLODED VIEW



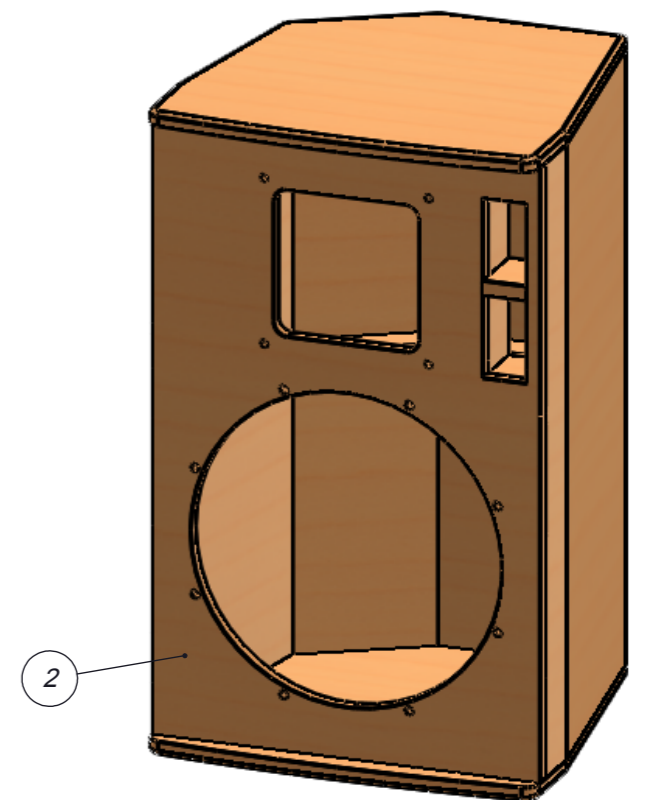
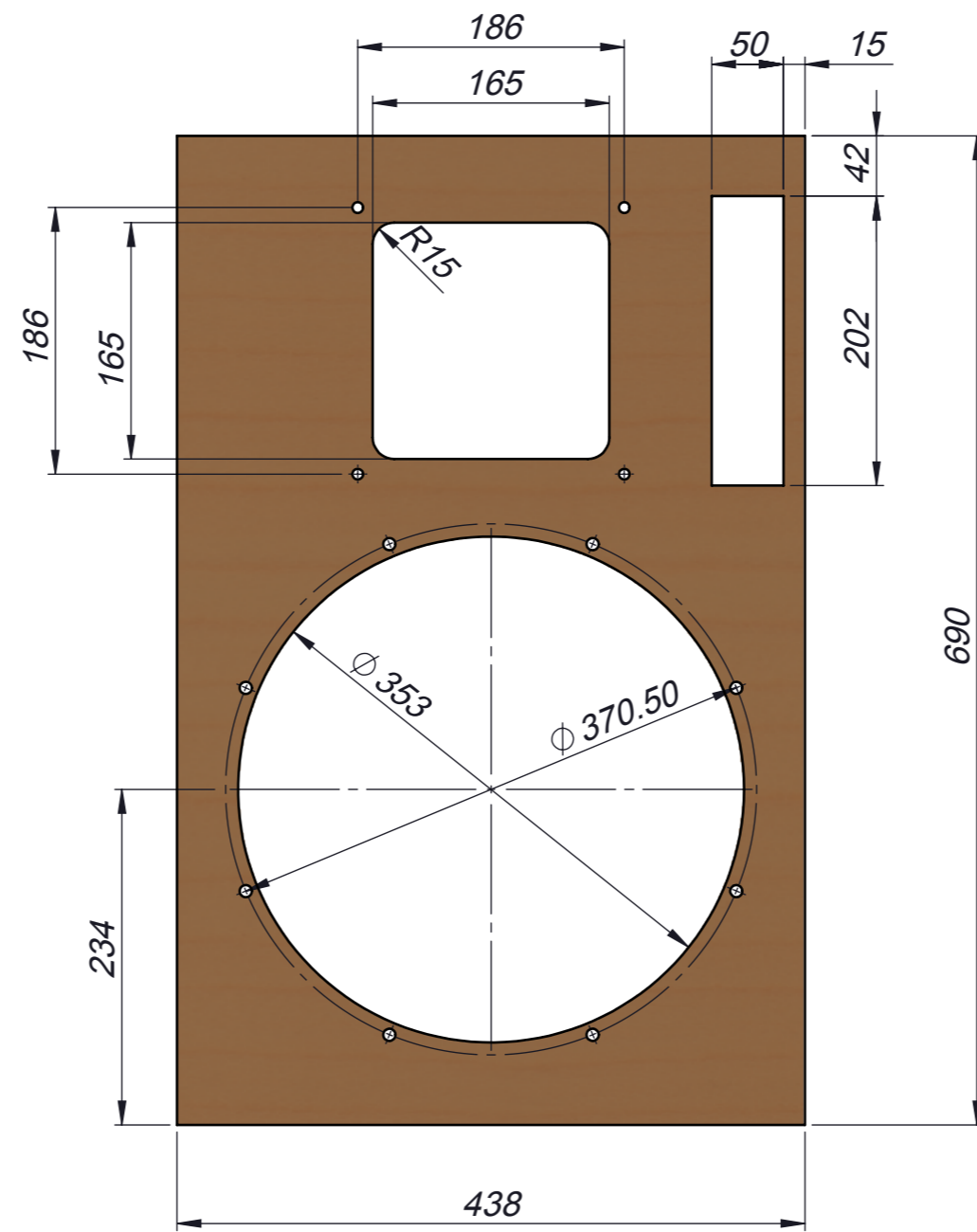
PARTS LIST

ITEM N°	PARTS DIMENSIONS	QTY.
1	438 x 414 x 15	2
2	438 x 690 x 15	1
3	63.3 x 690 x 15	2
4	310 x 690 x 15	1
5	210 x 690 x 15	1
6	221.9 x 690 x 15	1
7	169 x 690 x 15	1
8	66 x 62 x 15	2
9	50 x 77 x 15	1
10	62 x 202 x 15	1
11	408 x 354.5 x 15	1

TOP AND BOTTOM PARTS

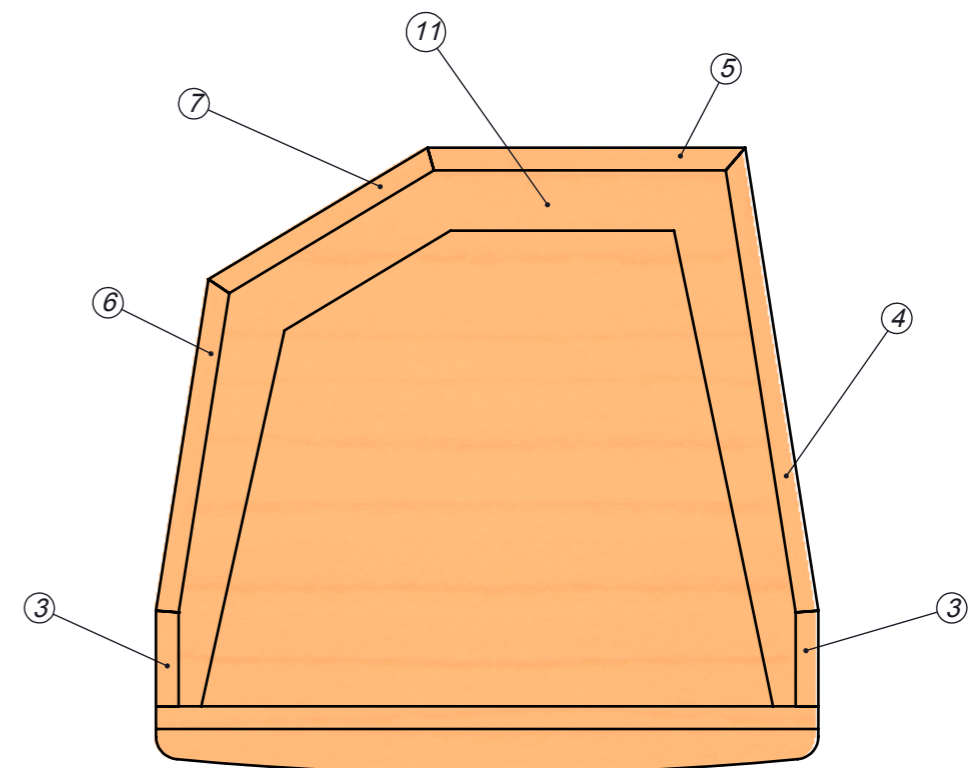
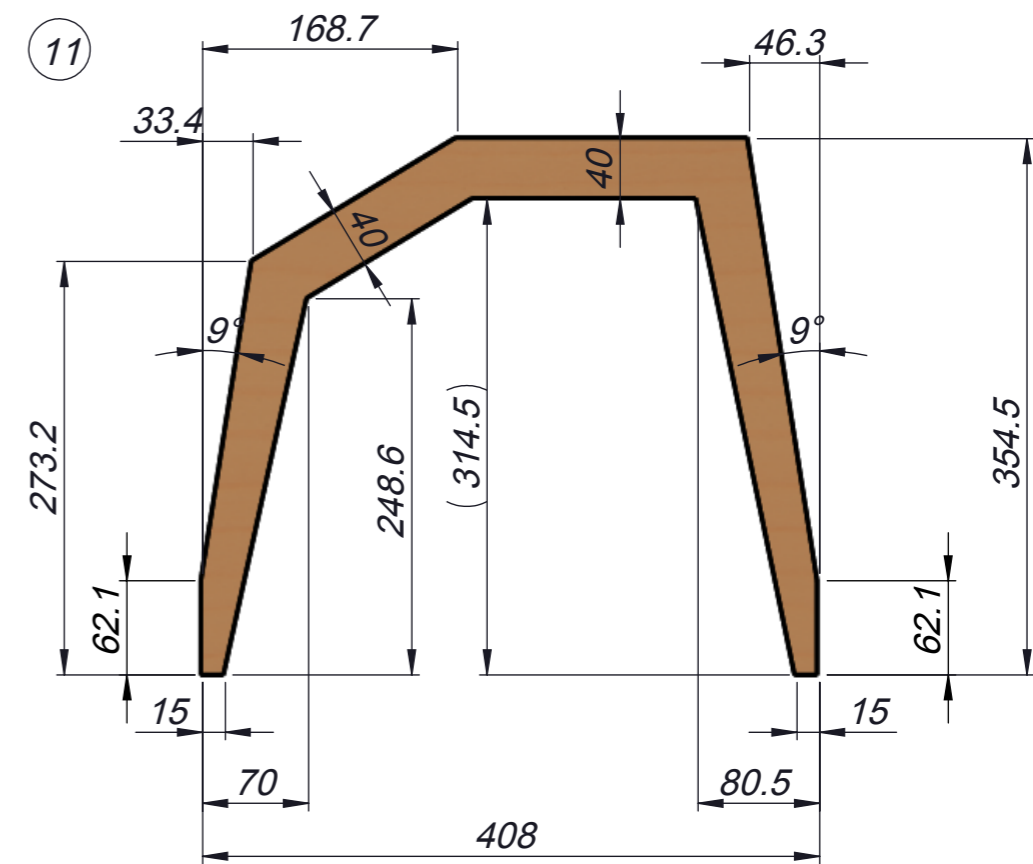
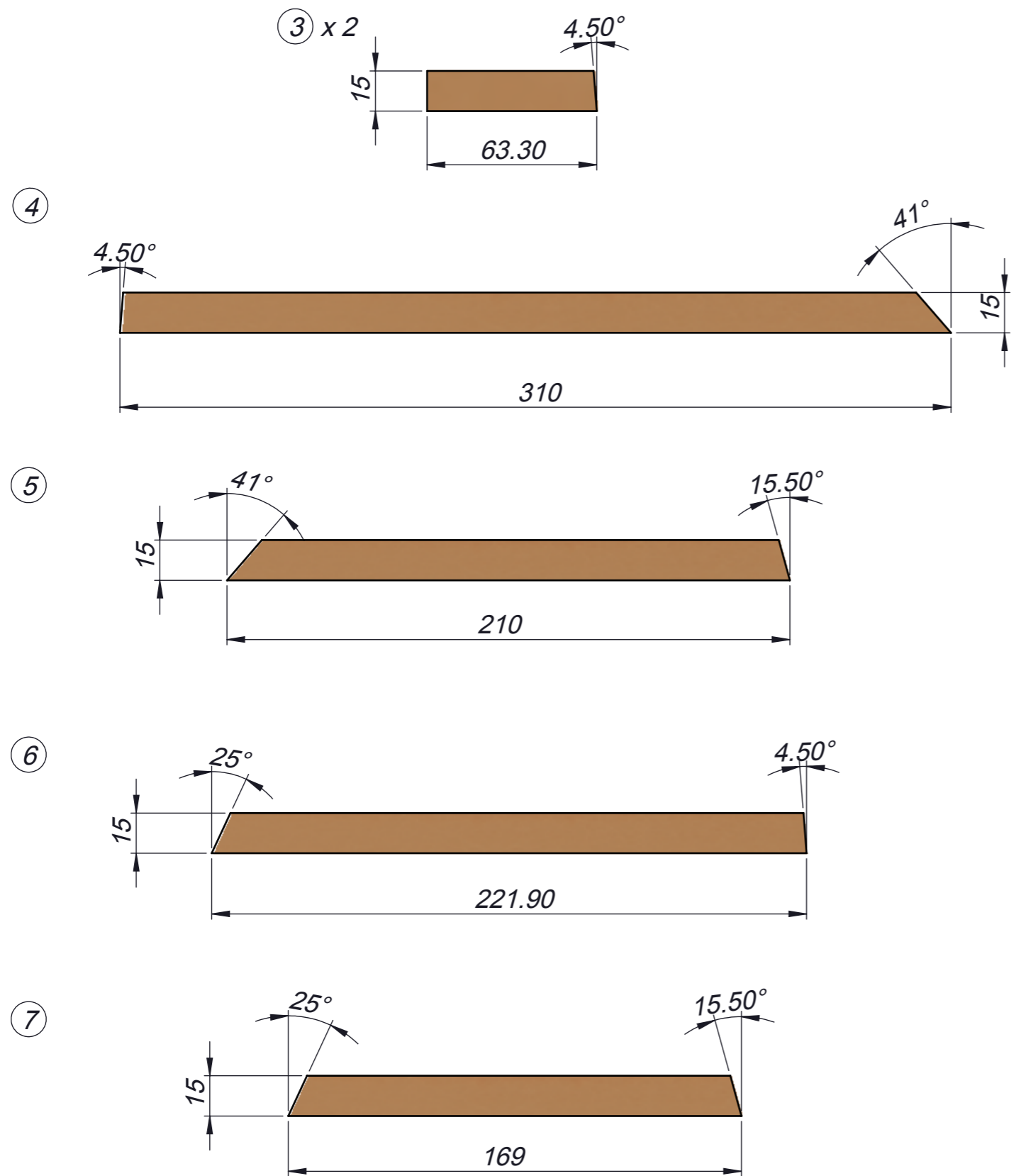


FRONT PANEL



SIDES

INNER REINFORCEMENT

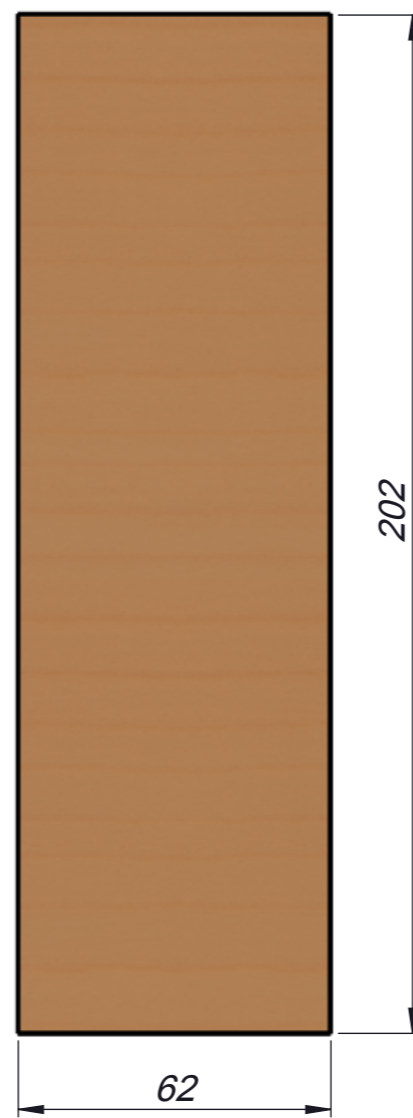


VENT ASSEMBLY

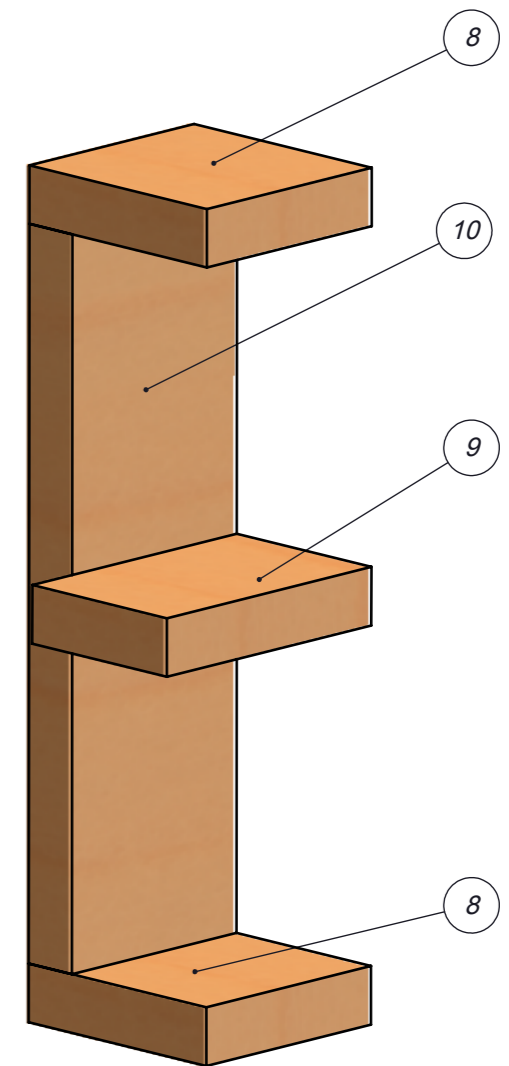
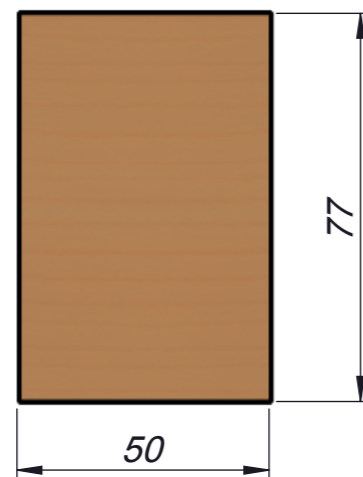
8 x 2



10



9



beyma  **FR-CM**

FULL RANGE 2 WAY SYSTEM SERIES

