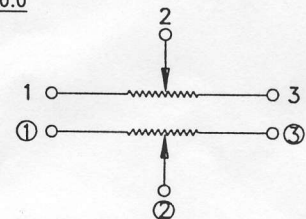
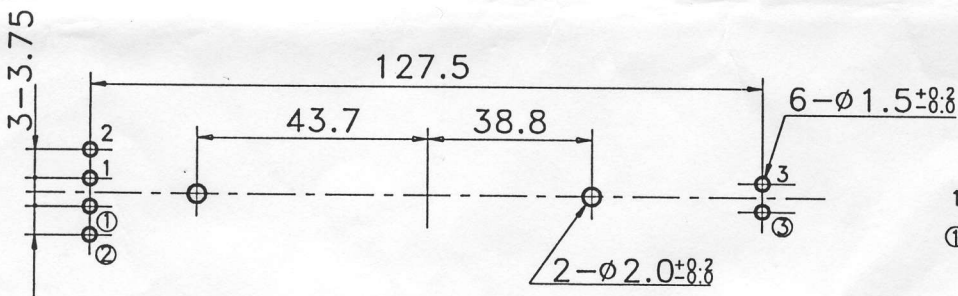
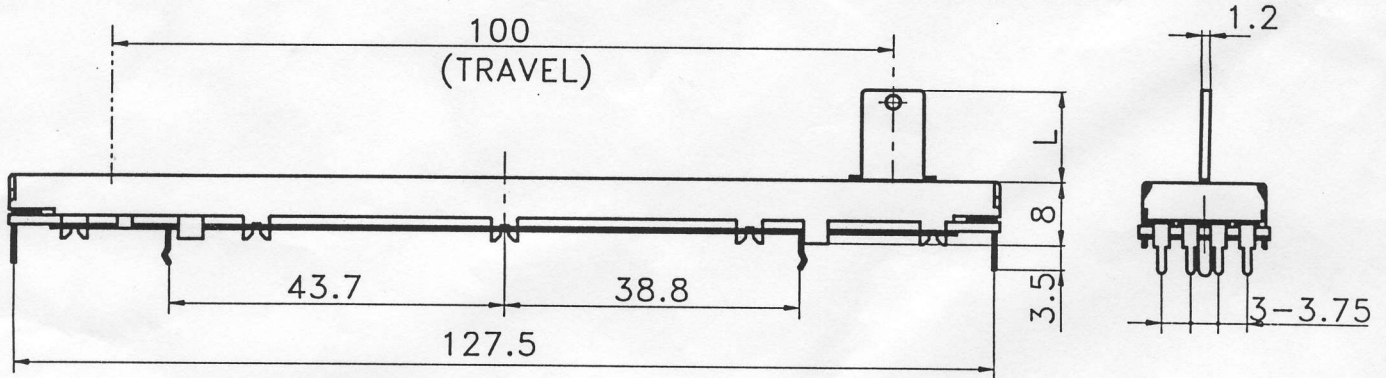
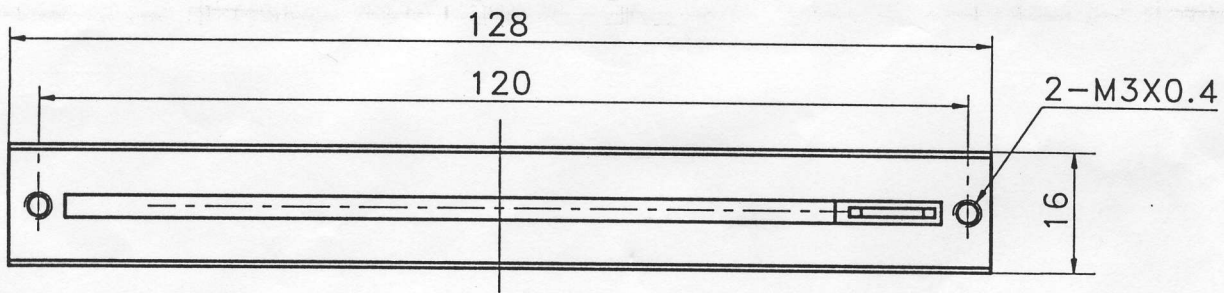


SKA-191-G 2x10KA



P.C.B. MOUNTING HOLE DETAIL

CIRCUIT: GO



MODEL	SK□□91 SERIES		
LEVER TYPE	<input checked="" type="checkbox"/> M13B	<input type="checkbox"/> M17A	<input type="checkbox"/> M16C
DIMENSIONS			