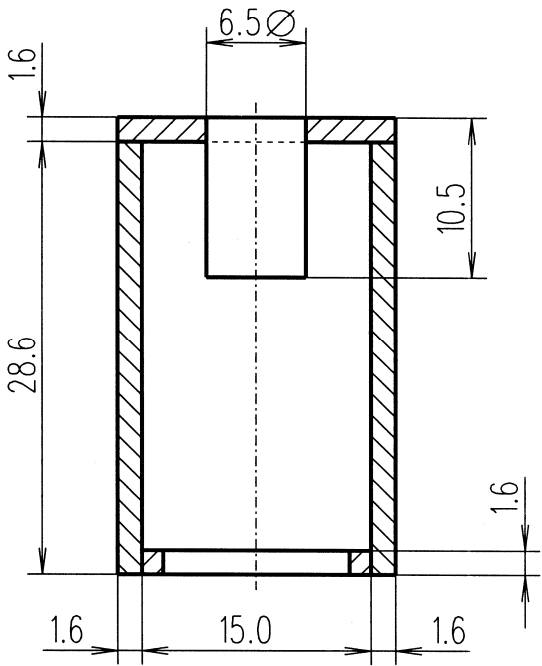
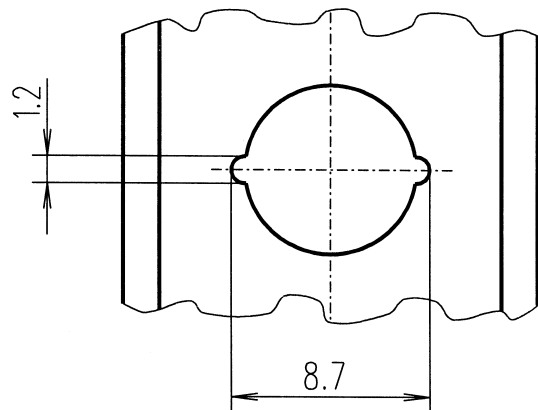


A-A' CROSS SECTION



B-B' CROSS SECTION

X DETAIL



| MODEL | ENCLOSURE DESIGN | FREQUENCY RESPONSE | EFFICIENCY | POWER CAPACITY | IMPEDANCE |
|-------------------|-------------------------------------|--------------------|---------------|----------------|------------------------------|
| B-36/3 | D'APPOLITO 2WAY BASS-REFLEX | 55 Hz - 20 kHz | 93 dB 1w @ 1m | 100 w RMS | 4 ohms. L.F. 8 ohms. H.F. |
| COMPONENTS | 2 mid-range units 5"MP-60/N 8 ohms. | | | | |
| | 1 dome tweeter T-2030 8 ohms. | | | | |
| | 1 passive crossover 2 V Hi-fi.. | | | | |