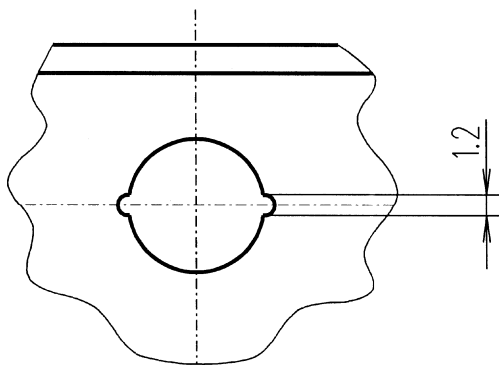


A - A' CROSS SECTION



X DETAIL

MODEL	ENCLOSURE DESIGN	FREQUENCY RESPONSE	EFFICIENCY	POWER CAPACITY	IMPEDANCE
<b>B-34/3</b>	2 WAY CLOSED BOX	55 Hz - 20 kHz	90 dB 1w @ 1m	60 w RMS	8 ohms.
<b>COMPONENTS</b>	1 bass unit 8"BR-40 or 8"WOOFER/P 8 ohms.				
	1 dome tweeter T-2030 or T-2010 8 ohms.				
	1 passive crossover 2 V Hi-fi.				