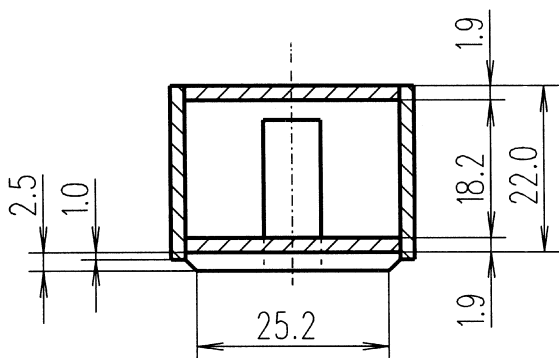
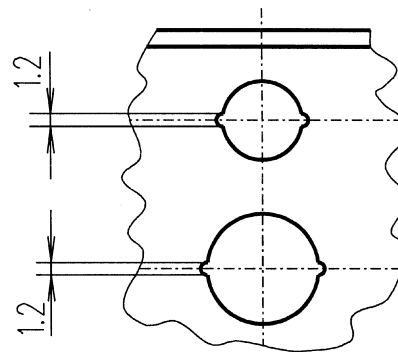


A - A' CROSS SECTION



B - B' CROSS SECTION



X DETAILS

MODEL	ENCLOSURE DESIGN	FREQUENCY RESPONSE	EFFICIENCY	POWER CAPACITY	IMPEDANCE
B-33/3	3 WAY BASS-REFLEX	35 Hz - 20 kHz	90 dB 1w @ 1m	75 w RMS	8 ohms.
COMPONENTS	1 bass unit 8" WOOFER/P 8 ohms.				
	1 mid-range dome unit MC-115 8 ohms.				
	1 dome tweeter T-2030 or T-2010 8 ohms.				
	1 passive crossover 3 V Hi-fi.				