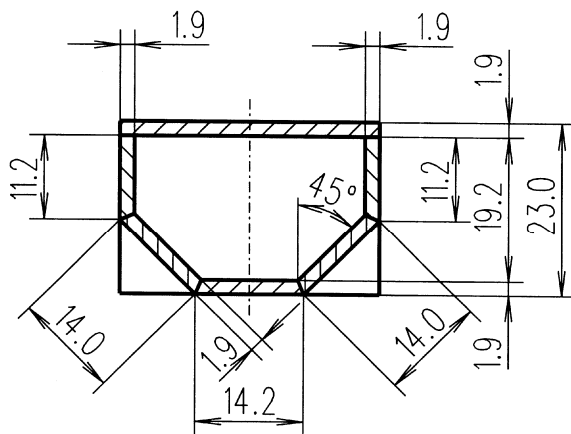
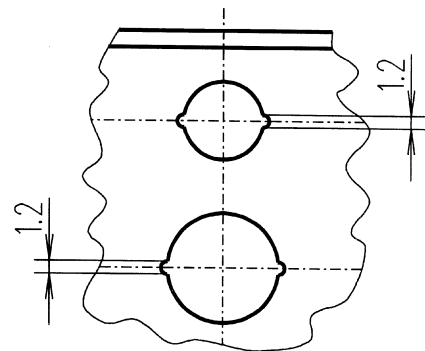


A - A' CROSS SECTION



B - B' CROSS SECTION



X DETAILS

MODEL	ENCLOSURE DESIGN	FREQUENCY RESPONSE	EFFICIENCY	POWER CAPACITY	IMPEDANCE
B-32/3	3 WAY CLOSED BOX	50 Hz - 20 kHz	92 dB 1w @ 1m	100 w RMS	8 ohms.
COMPONENTS	2 bass unit 8"BR-40 or 8"WOOFER/P 16 ohms.				
	1 mid-range dome unit MC-115 8 ohms.				
	1 dome tweeter T-2030 8 ohms.				
	1 passive crossover 3 V Hi-fi.				