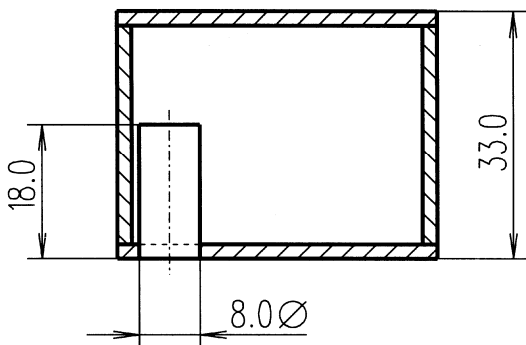
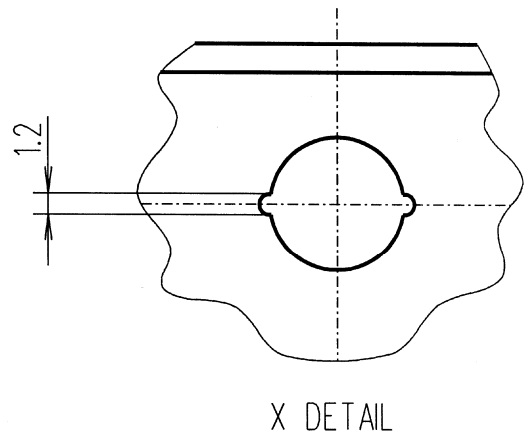


A - A' CROSS SECTION



B - B' CROSS SECTION



X DETAIL

MODEL	ENCLOSURE DESIGN	FREQUENCY RESPONSE	EFFICIENCY	POWER CAPACITY	IMPEDANCE
<b>B-28/3</b>	3 WAY BASS-REFLEX	40 Hz - 20 kHz	94 dB 1w @ 1m	125 w RMS	8 ohms.
<b>COMPONENTS</b>	1 bass unit 12"BR-70 8 ohms.				
	1 mid-range unit 5"MP-60/N or 5"M-30 8 ohms. with back cover VM-30.				
	1 dome tweeter T-2030 8 ohms.				
	1 passive crossover F-300.				