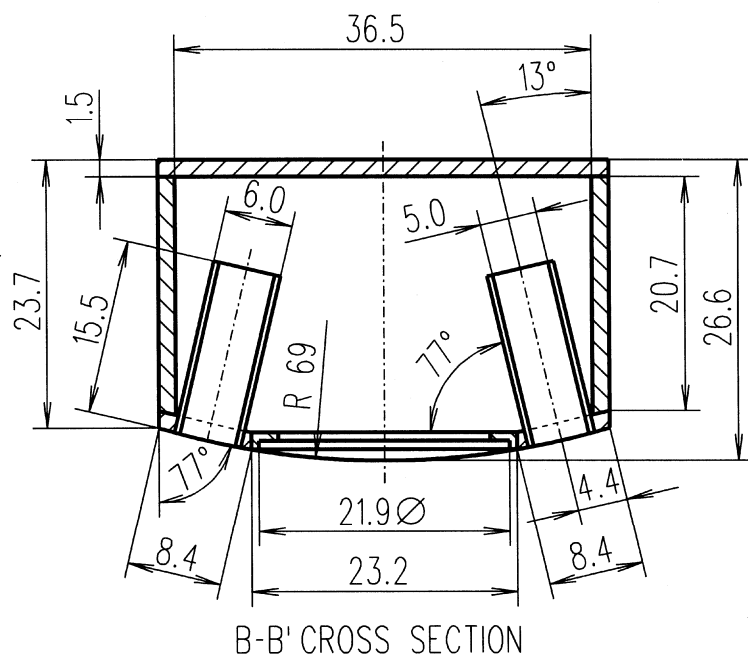
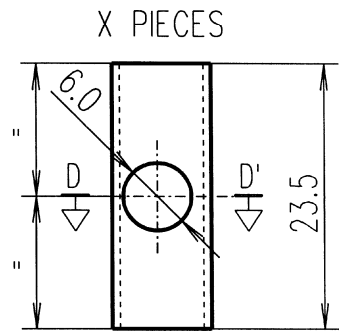


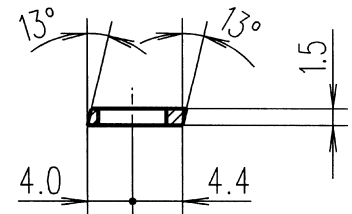
A-A' CROSS SECTION



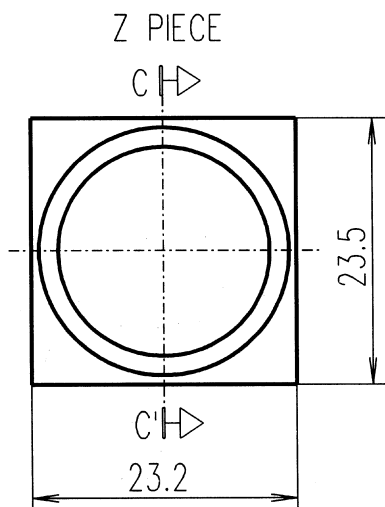
B-B' CROSS SECTION



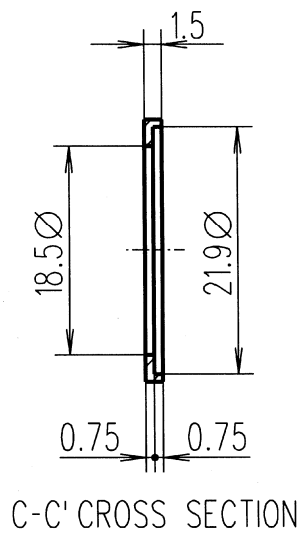
X PIECES



D-D' CROSS SECTION



Z PIECE



C-C' CROSS SECTION

| MODEL | ENCLOSURE DESIGN | FREQUENCY RESPONSE | EFFICIENCY | POWER CAPACITY | IMPEDANCE |
|-------------------|------------------------------|--------------------|---------------|----------------|-----------|
| B-26/3 | 2 WAY BASS-REFLEX | 40 Hz - 20 kHz | 92 dB 1w @ 1m | 100 w RMS | 8 ohms. |
| COMPONENTS | 1 co-axial unit 8"BX 8 ohms. | | | | |
| | 1 passive crossover F-102. | | | | |