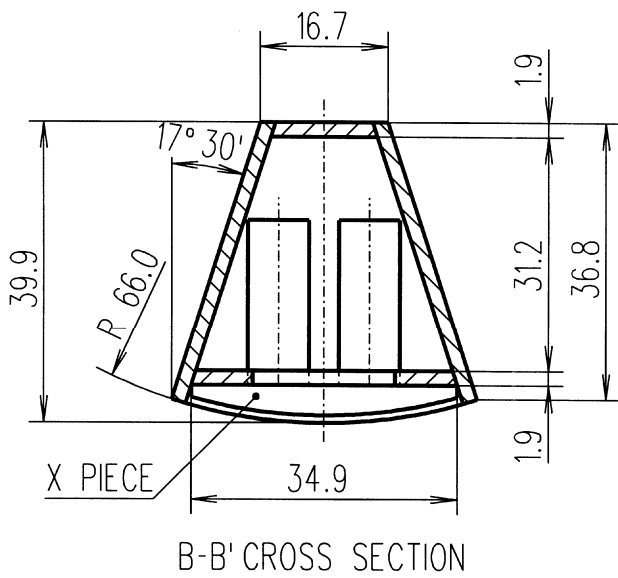
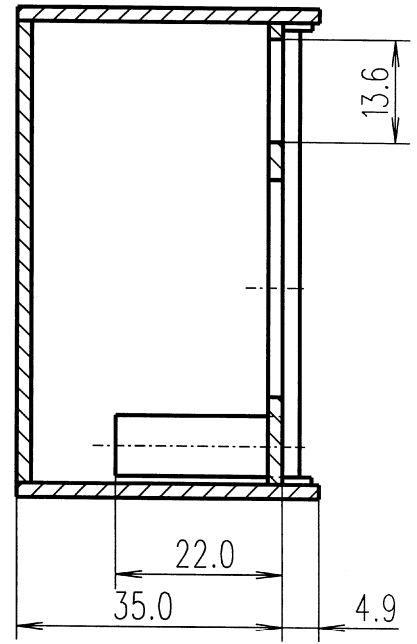
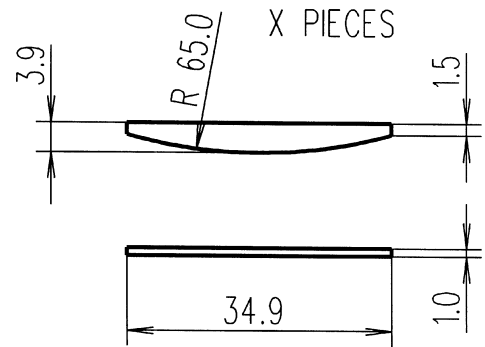


A-A' CROSS SECTION



B-B' CROSS SECTION



MODEL	ENCLOSURE DESIGN	FREQUENCY RESPONSE	EFFICIENCY	POWER CAPACITY	IMPEDANCE
B-21/3	2 WAY BASS-REFLEX	45 Hz - 20000 Hz	97 dB 1w @ 1m	600 w RMS	8 ohms.
COMPONENTS	1 bass unit 12"LX-60 8 ohms.				
	1 compression driver CP-380/M 8 ohms.				
	1 high frequency horn TD-235 or TD-245.				
	1 passive crossover FD-250.				