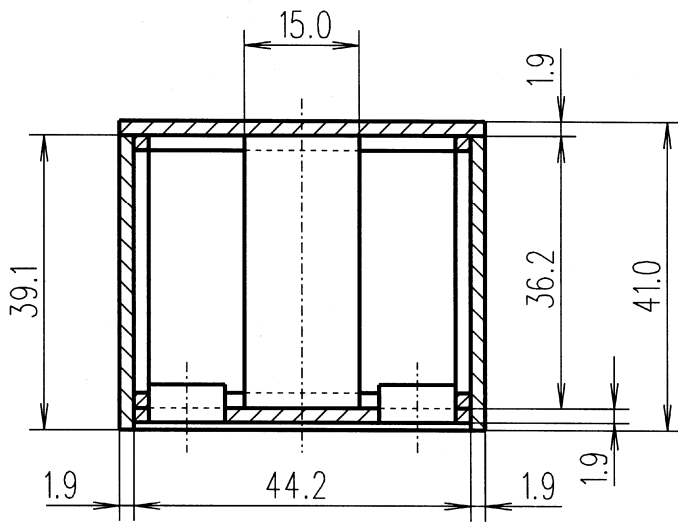


A-A' CROSS SECTION



B-B' CROSS SECTION

MODEL	ENCLOSURE DESIGN	FREQUENCY RESPONSE	EFFICIENCY	POWER CAPACITY	IMPEDANCE
<b>B-19/3</b>	2 WAY BASS-REFLEX	55 Hz - 17 kHz	101 dB 1w @ 1m	500 w RMS	4 ohms. L.F. 8 ohms. H.F.
<b>COMPONENTS</b>	1 co-axial unit 12"XM or 12"KX 8 ohms.				
	1 bass unit 12"G-40 8 ohms.				
	1 passive crossover FD-250.				