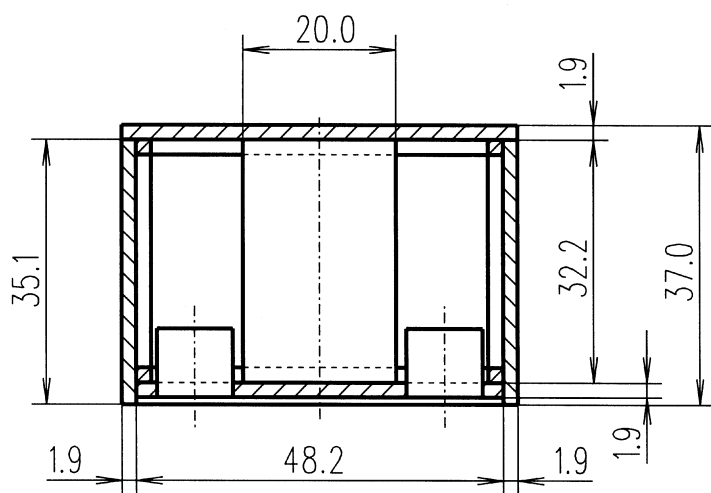


A-A' CROSS SECTION



B-B' CROSS SECTION

MODEL	ENCLOSURE DESIGN	FREQUENCY RESPONSE	EFFICIENCY	POWER CAPACITY	IMPEDANCE
B-18/3	2 WAY BASS-REFLEX	50 Hz - 17 kHz	102 dB 1w @ 1m	500 w RMS	4 ohms. L.F. 8 ohms. H.F.
COMPONENTS	1 co-axial unit 15"XM or 15"KX 8 ohms.				
	1 bass unit 15"MI-100 or 15"G-350 8 ohms.				
	1 passive crossover FD-250.				