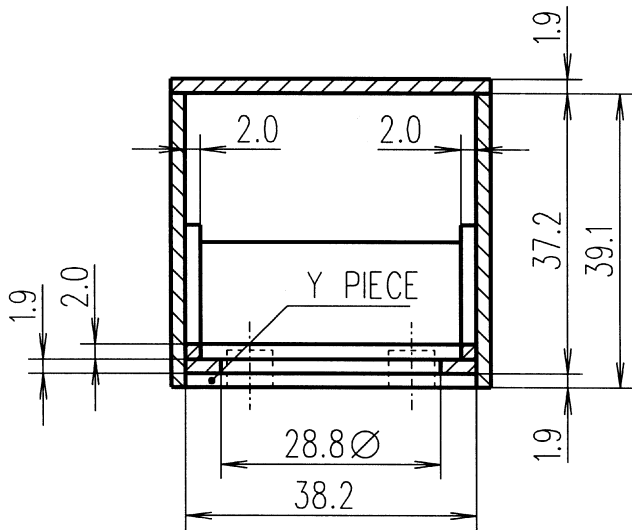
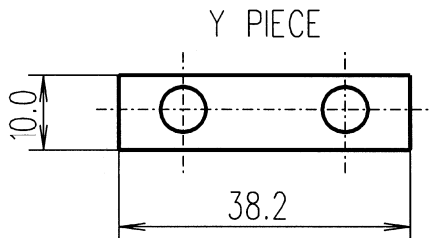
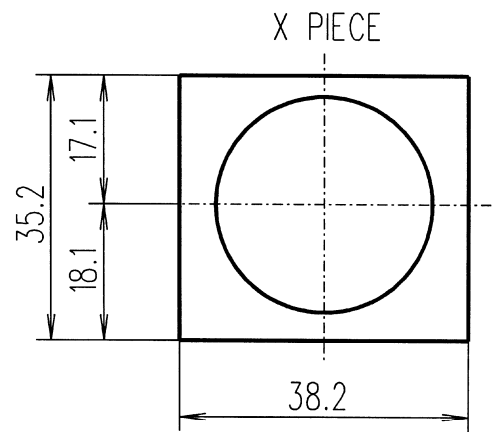


A-A' CROSS SECTION



B-B' CROSS SECTION



MODEL	ENCLOSURE DESIGN	FREQUENCY RESPONSE	EFFICIENCY	POWER CAPACITY	IMPEDANCE
<b>B-17/3</b>	2 WAY STAGE MONITOR	60 Hz - 17 kHz	98 dB 1w @ 1m	300 w RMS	8 ohms.
<b>COMPONENTS</b>	1 co-axial unit 12"XM or 12"KX 8 ohms. 1 passive crossover FD-250.				