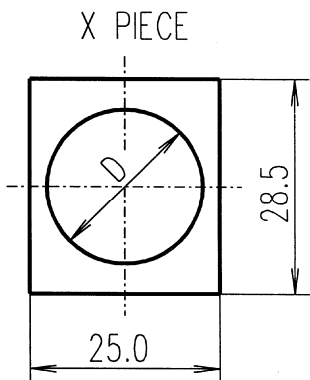
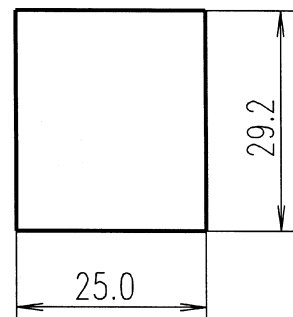


B-B' CROSS SECTION



Y PIECE



MODEL	D	L
CP-800/Ti	23.3 cm.	3.3 cm.
CP-750/Ti	20.5 cm.	6.9 cm.

MODEL	ENCLOSURE DESIGN	FREQUENCY RESPONSE	EFFICIENCY	POWER CAPACITY	IMPEDANCE
B-13/3	2 WAY BASS-REFLEX	58 Hz - 18 kHz	101 dB 1w @ 1m	350 w RMS	8 ohms.
COMPONENTS	1 bass unit 15"MI-100 8 ohms.				
	1 compression driver CP-800/Ti or CP-750/Ti 8 ohms.				
	1 high frequency horn TD-590 or TD-560.				
	1 passive crossover FD-250.				