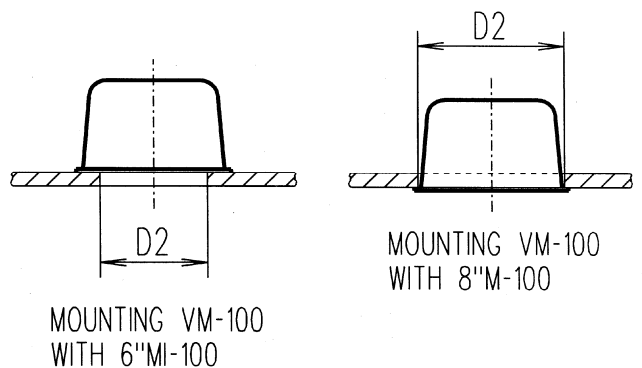


B-B' CROSS SECTION

MODEL	D1
15"G-40	35.3 cm.
15"K-200	36.4 cm.

MODEL	D2
8"M-100	19.0 cm.
6"MI-100	14.2 cm.

MODEL	L1	L2
CP-25	13.0 cm.	12.0 cm.
CP-09	9.0 cm.	7.0 cm.



MODEL	ENCLOSURE DESIGN	FREQUENCY RESPONSE	EFFICIENCY	POWER CAPACITY	IMPEDANCE
B-11/3	3 WAY BASS-REFLEX	45 Hz - 20 kHz	100 dB 1w @ 1m	400 w RMS	8 ohms.
COMPONENTS	1 bass unit 15"G-40 or 15"K-200 8 ohms.				
	1 mid-range unit 8"M-100 or 6"MI-100 8 ohms. with back cover VM-100.				
	1 constant directivity tweeter CP-25 or CP-09 8 ohms.				
	1 passive crossover F-300.				