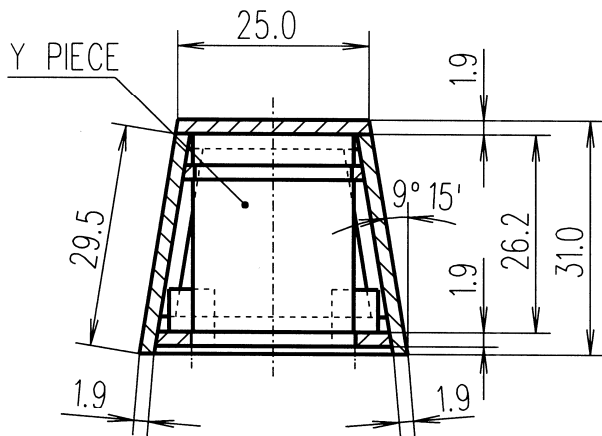
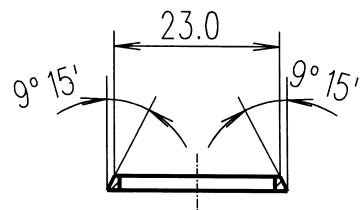
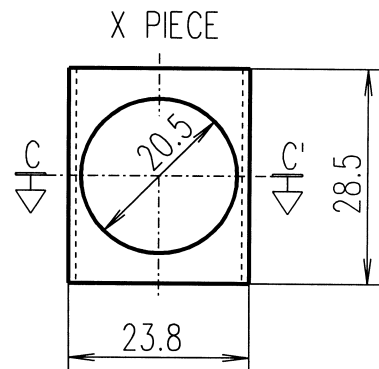


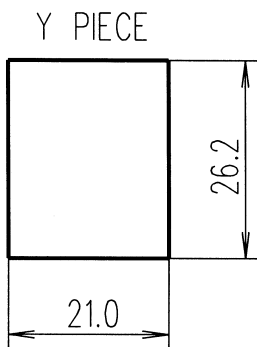
A-A' CROSS SECTION



B-B' CROSS SECTION



C-C' CROSS SECTION



MODEL	ENCLOSURE DESIGN	FREQUENCY RESPONSE	EFFICIENCY	POWER CAPACITY	IMPEDANCE
B-07/3	2 WAY BASS-REFLEX	65 Hz - 18 kHz	100 dB 1w @ 1m	350 w RMS	8 ohms.
COMPONENTS	1 mid and bass unit 10"MI-100 8 ohms.				
	1 compression driver CP-750/Ti 8 ohms.				
	1 high frequency horn TD-590.				
	1 passive crossover FD-250.				