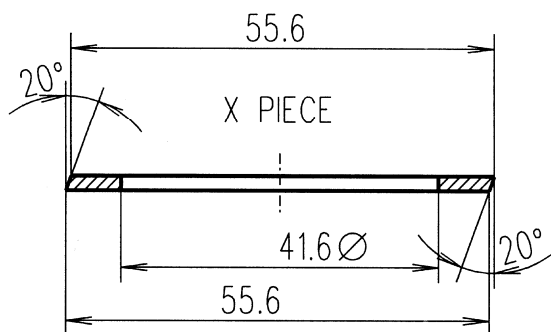
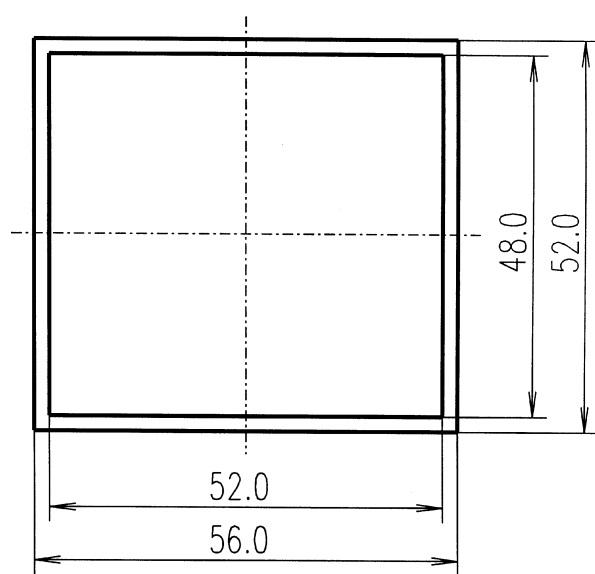
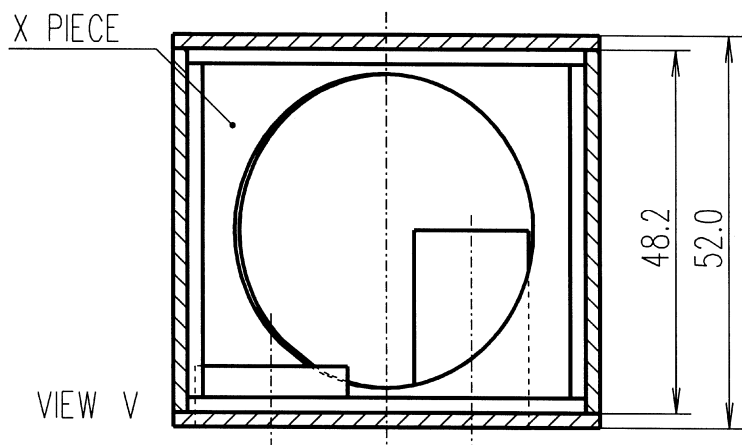
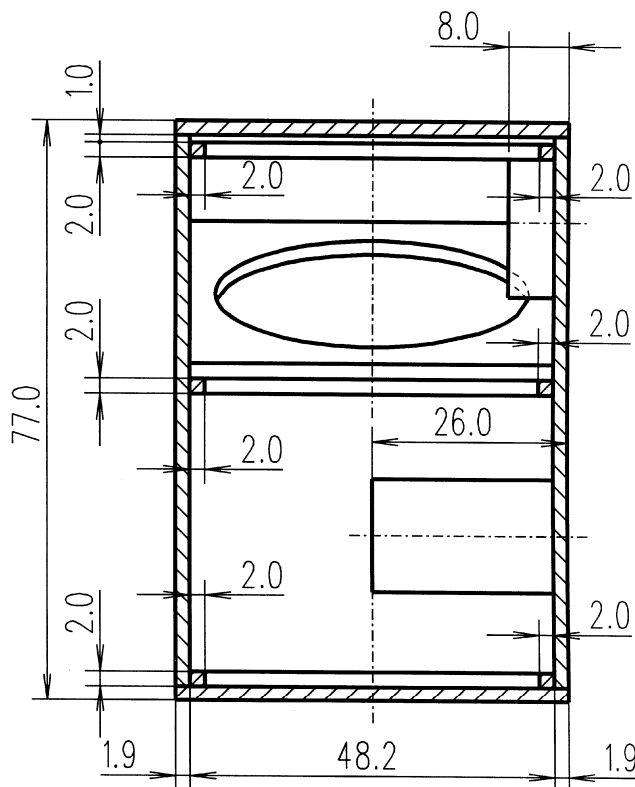


A-A' CROSS SECTION



Z REMOVABLE PANEL

MODEL	ENCLOSURE DESIGN	FREQUENCY RESPONSE	EFFICIENCY	POWER CAPACITY	IMPEDANCE
<b>B-04/3</b>	BAND-PASS	40 Hz - 120 Hz	100 dB 1w @ 1m	750 w RMS	8 ohms.
<b>COMPONENTS</b>	1 bass unit 18"G-550 or 18"G-50 8 ohms.				