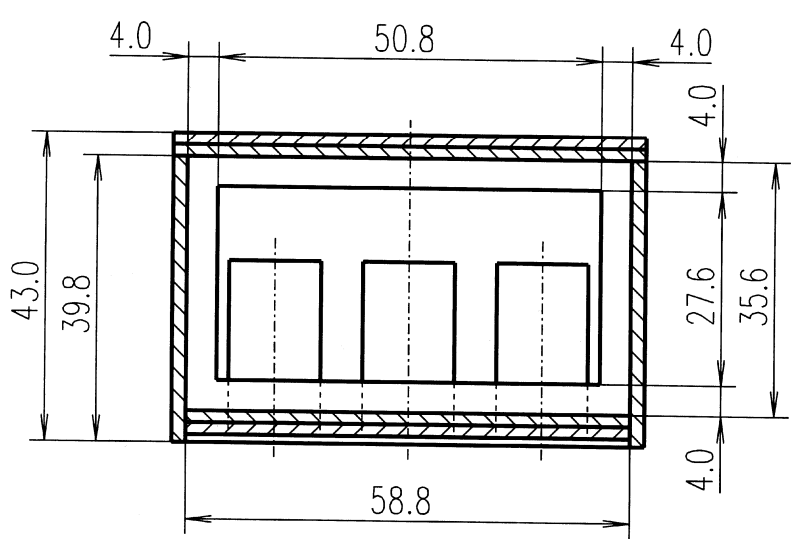


A-A' CROSS SECTION



B-B' CROSS SECTION

MODEL	ENCLOSURE DESIGN	FREQUENCY RESPONSE	EFFICIENCY	POWER CAPACITY	IMPEDANCE
B-02/3	BASS-REFLEX	35 Hz - 1.5 kHz	98 dB 1w @ 1m	750 w RMS	8 ohms.
COMPONENTS	1 bass unit 18"G-550 or 18"G-50 or 18"P-1000 8 ohms.				