

Features:

- Two-way passive speaker with one 15" woofer and one 2" driver.
- Cabinet is made from polypropylene and special high-tech material in large injection mold. It's durable, anti-shock and has good damping characters.
- Voice coil in the 15" woofer is made from \varnothing 75mm copper cladding aluminium ribbon wire.
- Heavy duty protective grille.
- The high frequency driver is protected by special design circuit to avoid being damaged when overload.
- Rotatable 50-100°x55° (HxV) dispersion horn makes it suitable for any performance purposes.
- Molded-in pole mount, easily suspended.
- Vertical or horizontal layout, can be used as a monitor or in any flying systems.
- Arrayable vertically in 4 layers or horizontally in more than 8 columns.



Beta Three



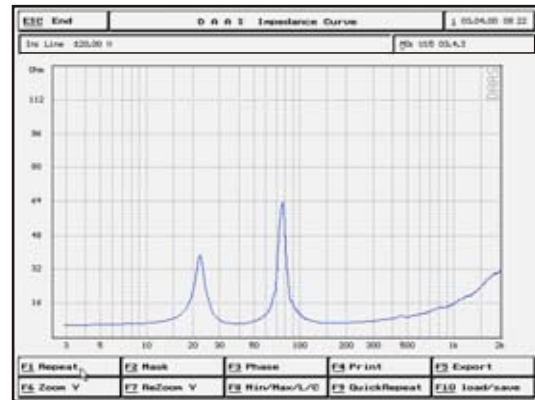
Model: UI5

Technical Parameters

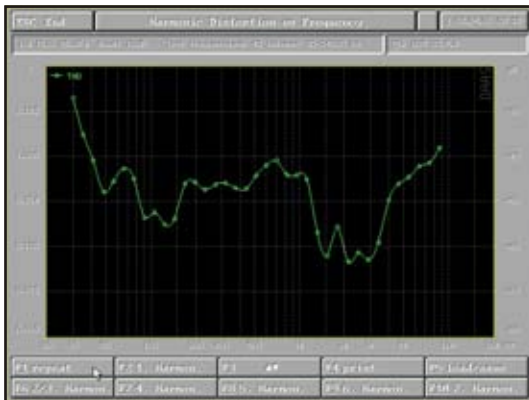
System:	Built-in Crossover Two Way Full Range Speaker
Driver Quantity:	15 "x1(Bass) 1x \varnothing 44mm Driver
Frequency Response(-3dB):	40Hz-18KHz
Frequency Response(-10dB):	35Hz-20KHz
Sensitivity(dB/1M/1W):	98 dB
Impedance:	8 Ohm
Recommendatory Power(RMS/W):	300 W
Max Sound Level(dB/1M):	121dB
Rotatable horn(HxV):	50-100°x55°
Harmonic Distortion:	≤1%
Connectors:	2xNL4
Dimensions(WxDxH mm/pcs):	485X460X700mm
Packing Dimensions(WxDxH mm/pcs)	545X515X800mm
Net Weight(Kg/pcs):	26.0Kg
Gross Weight(Kg/pcs):	28.0Kg



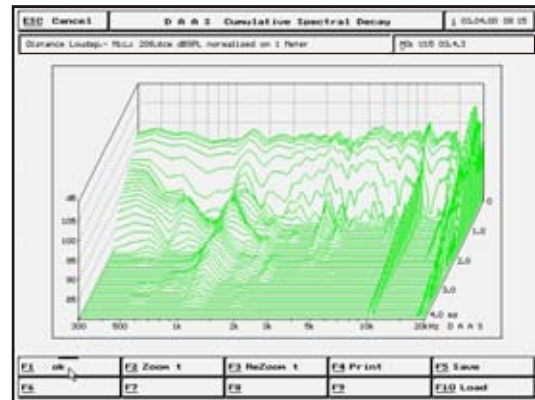
Frequency response, SPL/2.83v



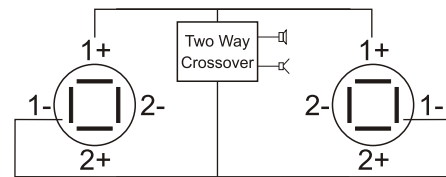
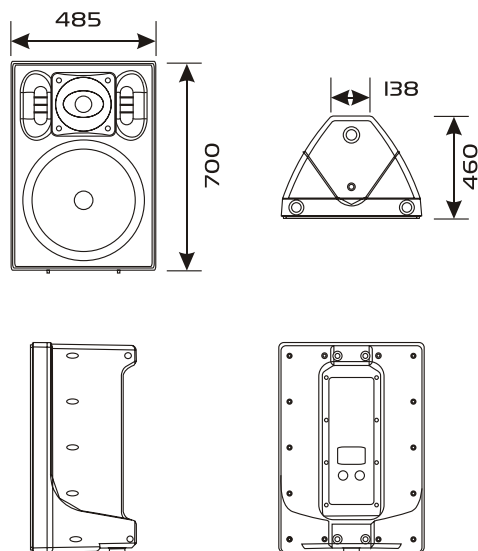
Impedance curve



Harmonic distortion 106dB/2.5m, nominal impedance



Waterfall spectrum analysis



Two Way Crossover

Cosmetic changes may be made