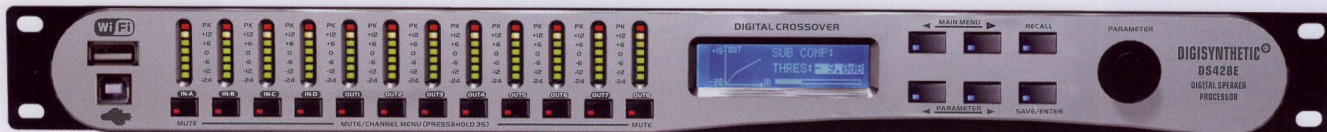


DSP Audio Processor

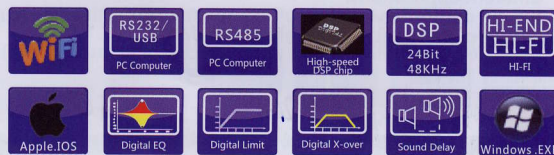
DS428E/226E/224E

Digital Loudspeaker Management



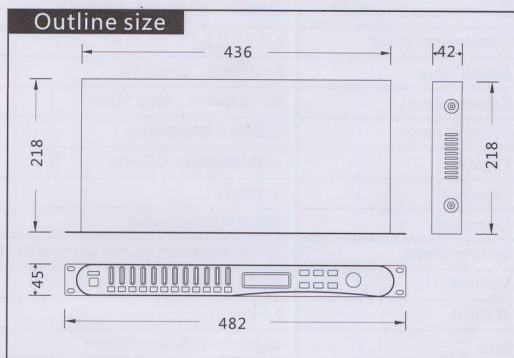
Characteristic :

- Input 9 band PEQ (Including Phase EQ), 31 band GEQ.
- Output 9 band PEQ.
- Dynamic range: 108 dB.
- Over-long delay, 2S for each input and 2S for each output.
- Intuitive and friendly UI software.
- Wide diapason, natural and delicate timber.
- 30 kinds of system preset.
- External WIFI modular interconnection.



Technical Specifications

Model	DS428E	DS226E	DS224E
Input/output	4in8out	2in6out	2in4out
Input/output gain	-40~12dB , 0.1dB step		
Max.input level	20 dBu		
Input delay	0ms~2s, step 21us		
Output delay	0ms~2s, step 21us		
Input PEQ	Each channel has a 9-band parametric equalizer		
Output PEQ	Each channel has a 9-band parametric equalizer		
EQ Gain	-30~15dB, step 0.1dB		
EQ Type	PEQ, Low shelf, High shelf, PHASE shelf		
EQ Frequency	19.7~21.9KHz		
EQ Bandwidth	PEQ 0.017~4.750 Oct		
Input GEQ	Each channel has a 31-band graphic equalizer (1/3 oct)		
Phase shelf	Central frequency 20-20KHZ phase change 180-0 , min step 2 max step 10		
Crossover frequency	19.7~21.9KHz		
Crossover slope	FLAT THRU,12dB,24dB,36dB , 48dB		
Crossover classification	Butterworth , Bessel , Linkwitz-Riley		
Compressor threshold	-20dB~-+20dB,step 0.5dB		
Compressor ratio	1,2,1.5,2,3,4,6,10,20,40,128 : 1		
Attack time	1~100ms , step 1ms		
Release time	50~1000ms , step 50ms		
Dynamic range	112dB		
CMMR	55dB		
Separation	95dB		
Distortion	0.002% (1KHz , 1Vrms)		
System preset	10 appearances preset programs, 30 user programs		
Voltage	AC 90V~ 250V, 50Hz~60Hz		
Weight	3.6kg		
Size	482mm×218mm×45mm		



DS226D - 280,-
DS428D - 381,-